

STAND-OFF POINT HOLDER

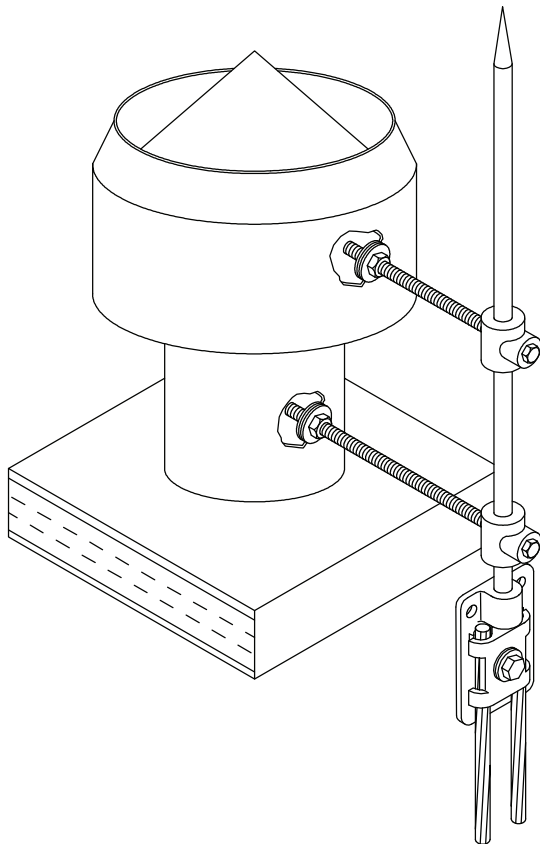
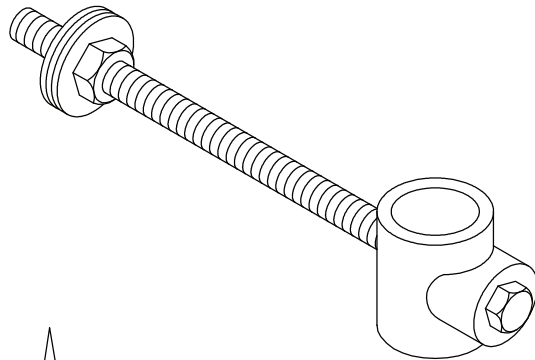


ADJUSTABLE POINT HOLDER

Cast bronze or aluminum point holder with adjustable threaded rod for irregular surface mounting – 3/8" rigid rod for support with two nuts and washers for locking on mounting surface – 1/4" set screw on point – standard rod length 6" – longer or shorter rod available. Overall holder dimensions - 1" x 1-3/4" + rod length.

Cat. No. 653 – Copper - 6.1 oz.

Cat. No. A653 – Aluminum - 2.9 oz.



Typical use
on ventilator



ROBBINS LIGHTNING, INC.

124 EAST SECOND STREET PHONE (660) 582-3156 FAX (660) 582-3039 P.O. BOX 440 MARYVILLE, MISSOURI 64468-0440