

METAL OR OUTLET POINT BASE

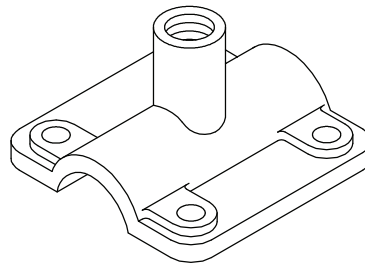


Heavy cast bronze or aluminum point base to mount directly on steel beam or on top wall terminal outlet No. 643 and No. A643 – over 3 square inches of surface contact – four holes for mounting with 1/4" diameter screws. Overall dimensions - 2-1/4" x 2-1/4" x 1".

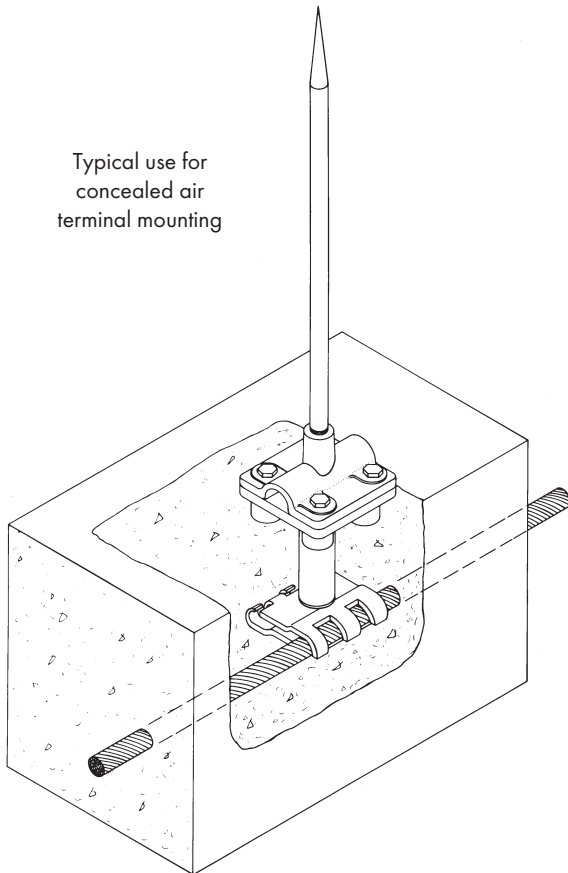
Specify diameter of point – 3/8" or 1/2".
Adapter required for 5/8" threads.

Cat. No. 688 – Copper - 7 oz.

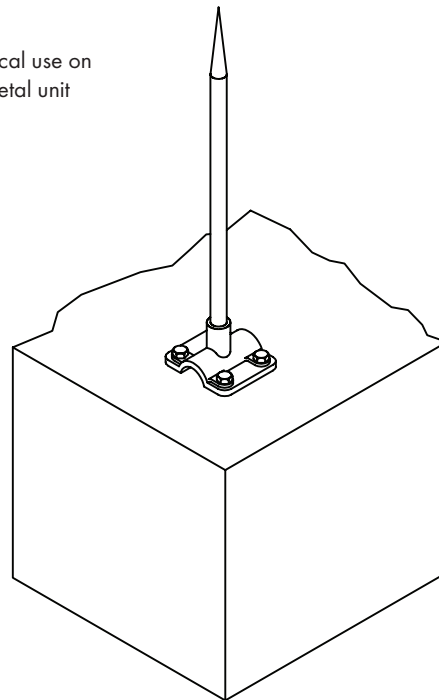
Cat. No. A688 – Aluminum - 2.2 oz.



Typical use for
concealed air
terminal mounting



Typical use on
metal unit



ROBBINS LIGHTNING, INC.

124 EAST SECOND STREET PHONE (660) 582-3156 FAX (660) 582-3039 P.O. BOX 440 MARYVILLE, MISSOURI 64468-0440

