

TOP MOUNT POINT BASE



Heavy cast bronze or aluminum point base for mounting on narrow precast masonry wall, on metal roof surface or flat handrail. Provided with two anchors for masonry or metal – bolt tension cable holder with 2-1/4" contact for main sized cables through No. 605. Overall dimensions - 2-1/4" x 2-1/4" x 1-3/4".

Specify diameter of point – 3/8" or 1/2".
Adapter required for 5/8" threads.

Copper

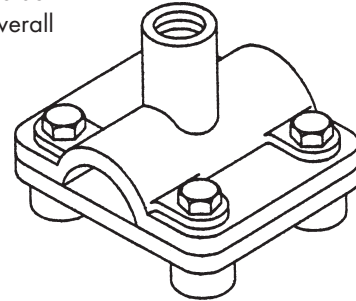
Cat. No. 687 – with No. 86 masonry anchors - 14.2 oz.

Cat. No. 687A – with 1/4" bolts and nuts for metal - 13.2 oz.

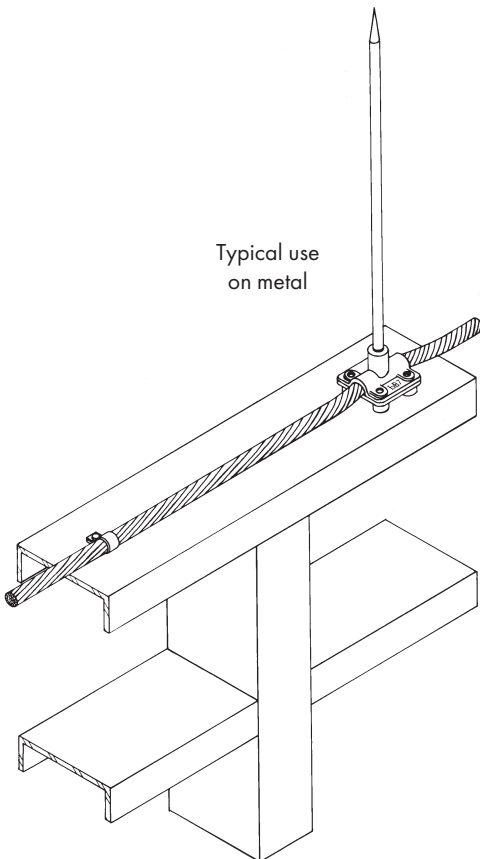
Aluminum

Cat. No. A687 – with No. 86 masonry anchors - 6.4 oz.

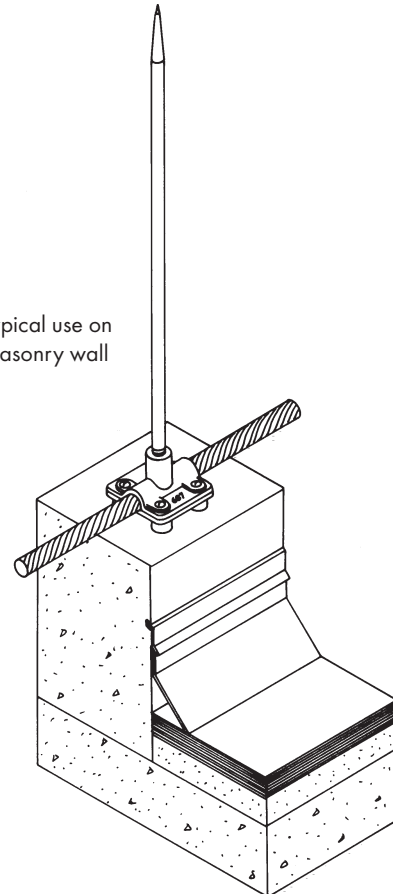
Cat. No. A687A – with 1/4" bolts and nuts for metal - 5.4 oz.



Typical use
on metal



Typical use on
masonry wall



ROBBINS LIGHTNING, INC.

124 EAST SECOND STREET PHONE (660) 582-3156 FAX (660) 582-3039 P.O. BOX 440 MARYVILLE, MISSOURI 64468-0440