

OFFSET WALL POINT BASE

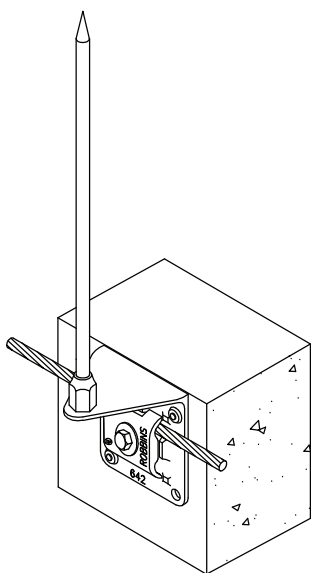
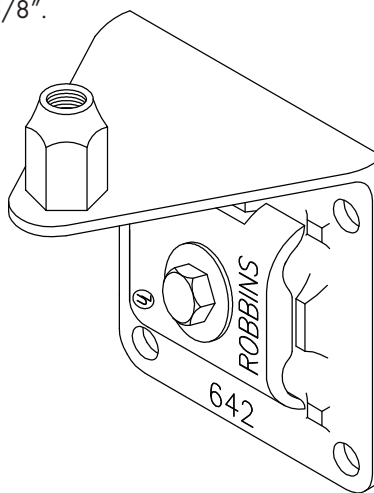


Heavy cast bronze or aluminum offset wall point base – point adapter offset 2" from mounting surface – four 5/16" mounting holes for 1/4" anchors – any combination of two will provide support in masonry or metal – cable contact 1-1/2" for main sized cables through No. 605. Overall dimensions - 2-3/4" x 2-3/4" x 4-1/2".

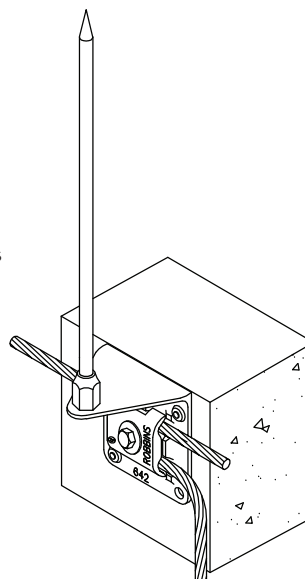
Specify diameter of point – 3/8", 1/2", or 5/8".

Cat. No. 642 – Copper - 1 lb. - 2 oz.

Cat. No. A642 – Aluminum - 6 oz.



Typical applications
on masonry wall



ROBBINS LIGHTNING, INC.

124 EAST SECOND STREET PHONE (660) 582-3156 FAX (660) 582-3039 P.O. BOX 440 MARYVILLE, MISSOURI 64468-0440

