

## NARROW WALL POINT BASE

ALL ITEMS



Bare copper, tinned copper, or aluminum strap point base for use on narrow masonry or metal capped wall or roof equipment – shipped flat but may be formed to fit various wall designs – Copper base 0.064" thick; Aluminum base 0.100" thick – four anchor holes for nails or screws, two anchor holes for bolts – bolt tension cable holder with 2-1/2" contact for main sized cables through No. 605.

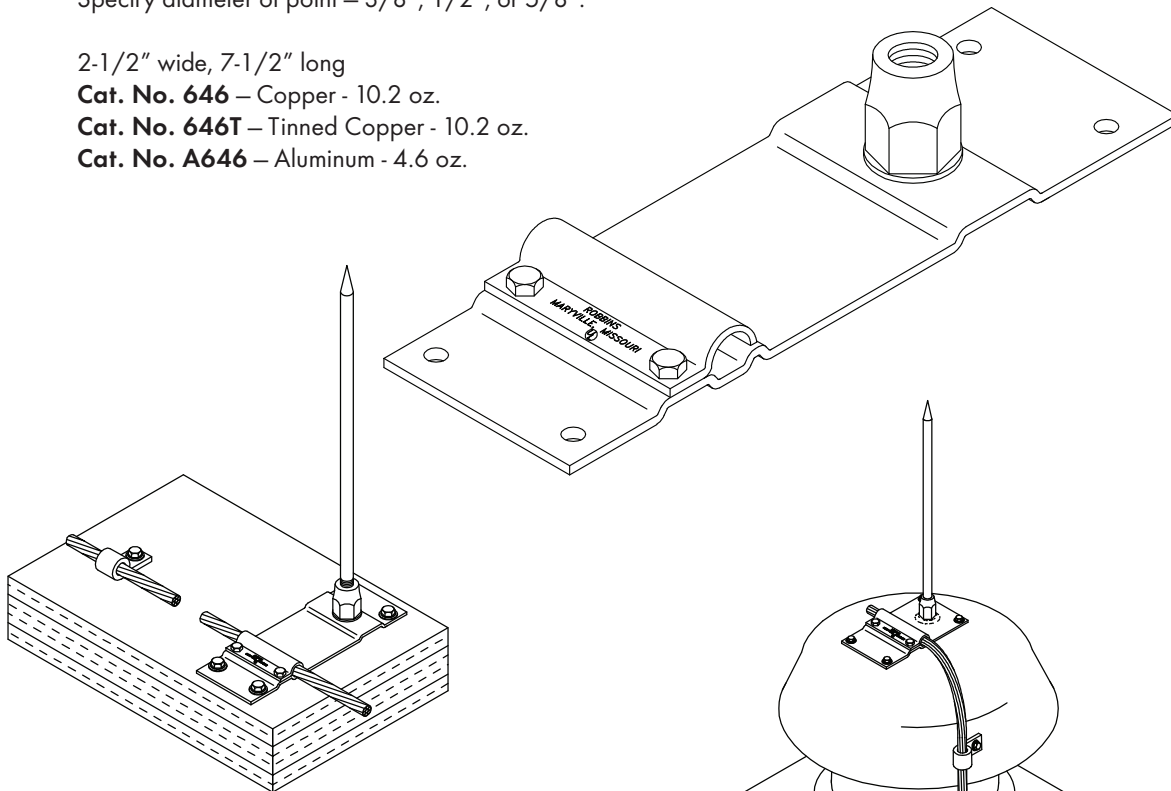
Specify diameter of point – 3/8", 1/2", or 5/8".

2-1/2" wide, 7-1/2" long

**Cat. No. 646** – Copper - 10.2 oz.

**Cat. No. 646T** – Tinned Copper - 10.2 oz.

**Cat. No. A646** – Aluminum - 4.6 oz.

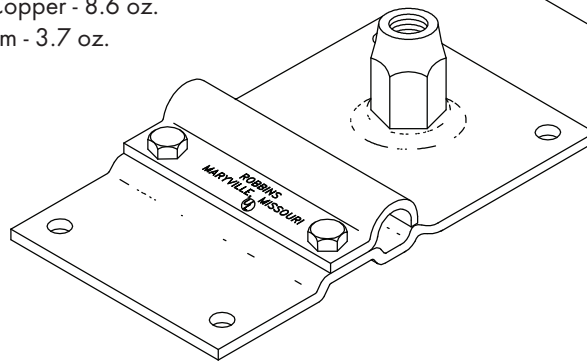


2-1/2" wide, 5-1/8" long

**Cat. No. 646N** – Copper - 8.6 oz.

**Cat. No. 646NT** – Tinned Copper - 8.6 oz.

**Cat. No. A646N** – Aluminum - 3.7 oz.



# ROBBINS LIGHTNING, INC.

124 EAST SECOND STREET PHONE (660) 582-3156 FAX (660) 582-3039 P.O. BOX 440 MARYVILLE, MISSOURI 64468-0440

