

## METAL MOUNT POINT BASE



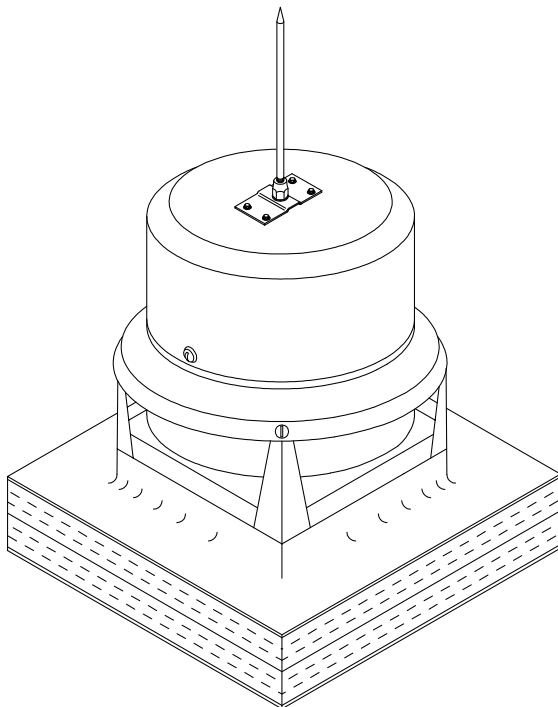
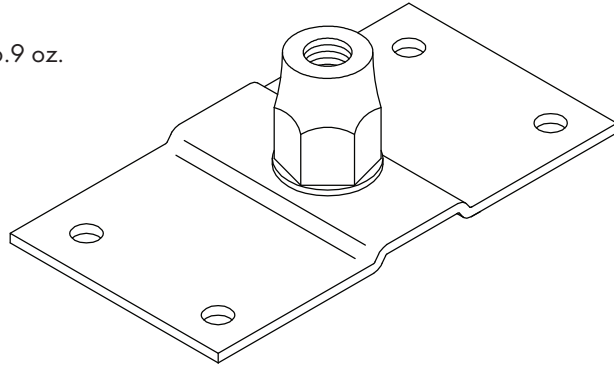
Bare copper, tinned copper, or aluminum strap point base for use on metal surface  $3/16$ " thick or more where bottom of metal object uses bonding plate. May be used on metal fans, vents, hoods, evaporative coolers and like equipment less than  $3/16$ " thick, but cable connection is required. Shipped flat but may be formed for sloping metal. Base contact surface exceeds 8 square inches. Copper base 0.064" thick; Aluminum base 0.100" thick – 2-1/2" wide, 5-1/2" long – four holes for sheet metal screws.

Specify diameter of point –  $3/8$ ",  $1/2$ ", or  $5/8$ ".

**Cat. No. 645** – Copper - 6.9 oz.

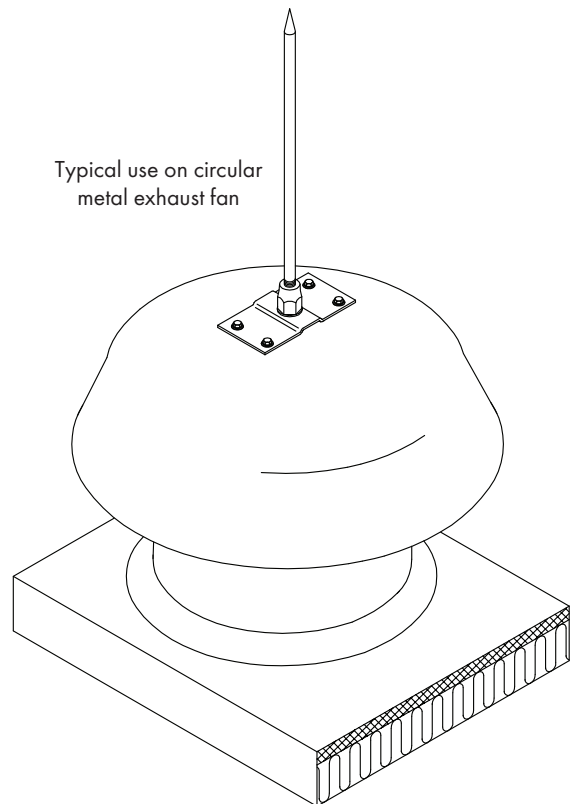
**Cat. No. 645T** – Tinned Copper - 6.9 oz.

**Cat. No. A645** – Aluminum - 3 oz.



Typical use on metal exhaust fan

Typical use on circular metal exhaust fan



# ROBBINS LIGHTNING, INC.

124 EAST SECOND STREET PHONE (660) 582-3156 FAX (660) 582-3039 P.O. BOX 440 MARYVILLE, MISSOURI 64468-0440