

STAMPED ADHESIVE POINT BASE

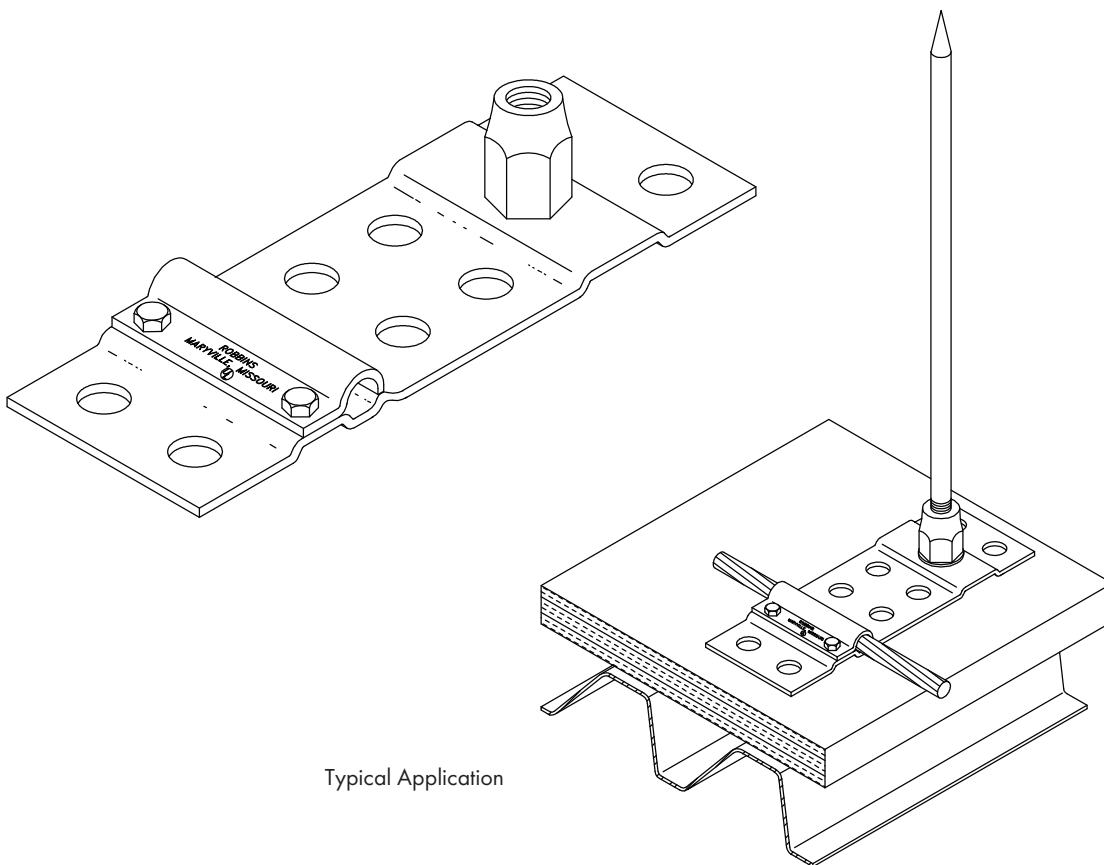


Bare copper or aluminum strap point base for adhesive mounting where no holes can be made in mounting surface such as membrane roofing – copper base 0.064" thick, aluminum base 0.100" thick – bolt tension cable holder with 2-1/2" cable contact for main sized cables through No. 605. Base should be set with application of hot roof pitch or adhesive compatible with roofing material. Overall dimensions - 2-1/2" x 9". Overall adhesive contact area - 22.5 in².

Specify diameter of point – 3/8", 1/2", 5/8".

Cat. No. 646A – Copper - 10.2 oz.

Cat. No. A646A – Aluminum - 4.6 oz.



Typical Application

ROBBINS LIGHTNING, INC.

124 EAST SECOND STREET PHONE (660) 582-3156 FAX (660) 582-3039 P.O. BOX 440 MARYVILLE, MISSOURI 64468-0440

