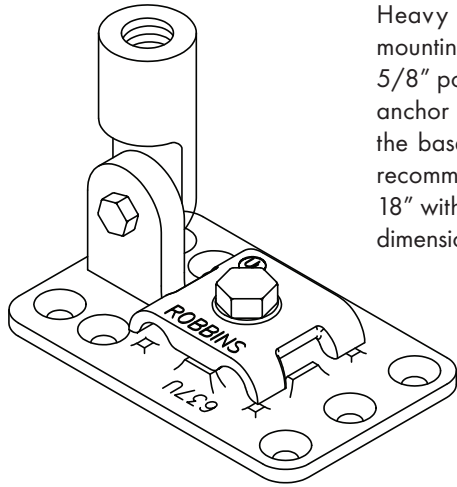


# UNIVERSAL POINT BASE

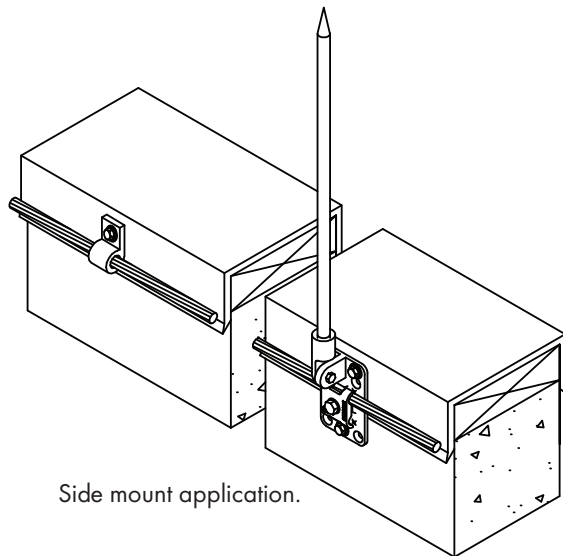


Heavy cast bronze or aluminum combination point base for all mounting applications. Swivel can be threaded for 3/8", 1/2" or 5/8" point. Bolt tension cable holder with 1-1/2" contact and three anchor holes for fasteners. When used in an adhesive application, the base should be set with compatible adhesive compound. We recommend using additional bracing when using points taller than 18" with this base. For main sized cables through No. 605. Overall dimensions - 2-5/16" x 3-5/8". Overall adhesive contact area - 8.3 in<sup>2</sup>.

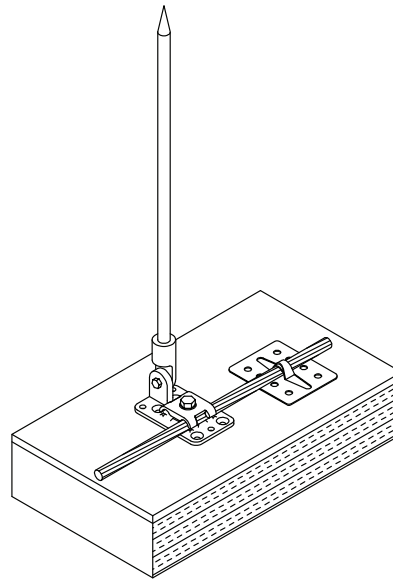
Specify diameter of point – 3/8", 1/2", or 5/8".

**Cat. No. 637U** – Copper - 1 lb. - 3 oz.

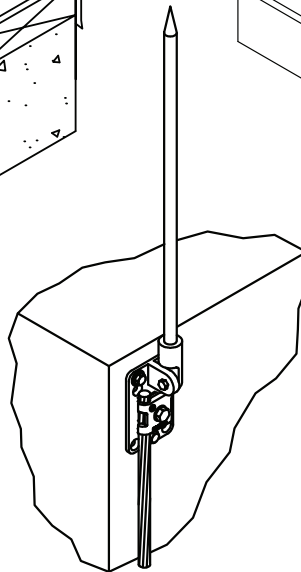
**Cat. No. A637U** – Aluminum - 7 oz.



Side mount application.



Adhesive Application



Side mount application with vertical cable run.

# ROBBINS LIGHTNING, INC.

124 EAST SECOND STREET PHONE (660) 582-3156 FAX (660) 582-3039 P.O. BOX 440 MARYVILLE, MISSOURI 64468-0440

