

## CAST ADHESIVE POINT BASE WITH CAST SWIVEL

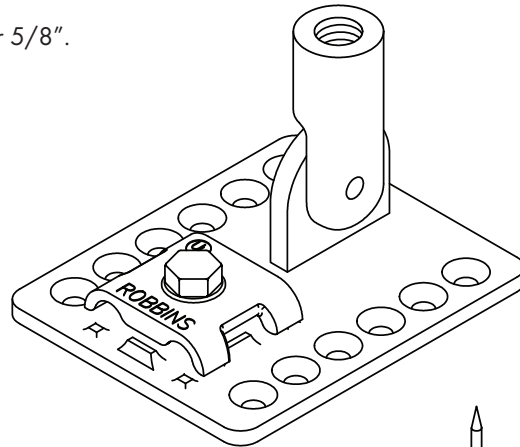


Heavy cast bronze or aluminum adhesive point base for mounting on flat or gently sloping roofs – used where no holes can be made in mounting surface, such as built-up tar and gravel or membrane roofing – adjustable point holder. Cable contact 1-1/2" for main sized cables through No. 605. Base should be set with application of hot roof pitch or compatible adhesive compound. Overall dimensions - 3-1/2" x 4-5/16" x 2-3/4". Overall adhesive contact area - 15.1 in<sup>2</sup>.

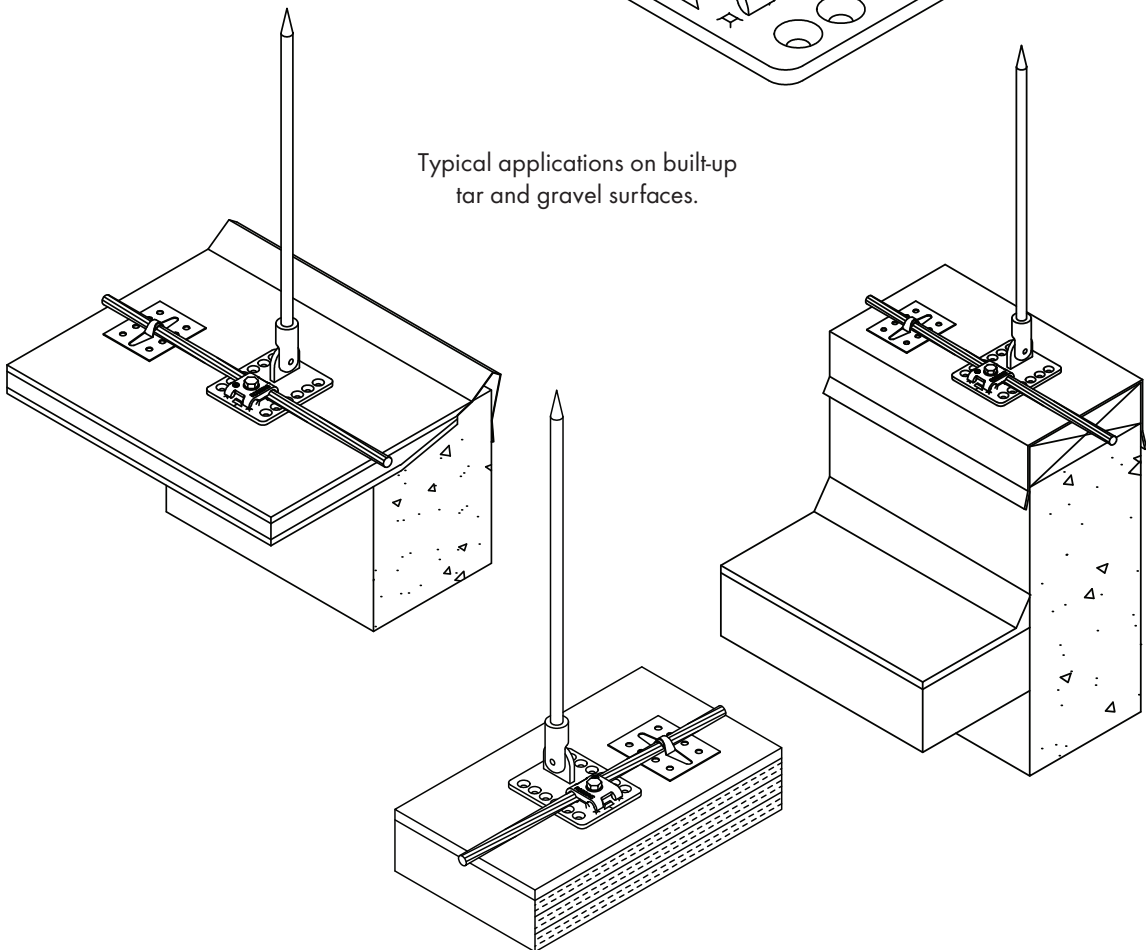
Specify diameter of point – 3/8", 1/2", or 5/8".

**Cat. No. 638** – Copper - 1 lb. - 13 oz.

**Cat. No. A638** – Aluminum - 8 oz.



Typical applications on built-up  
tar and gravel surfaces.



# ROBBINS LIGHTNING, INC.

124 EAST SECOND STREET PHONE (660) 582-3156 FAX (660) 582-3039 P.O. BOX 440 MARYVILLE, MISSOURI 64468-0440

