

## ADJUSTABLE POINT BASE

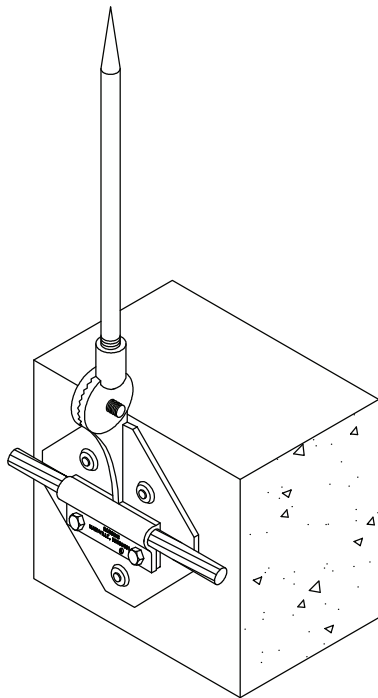
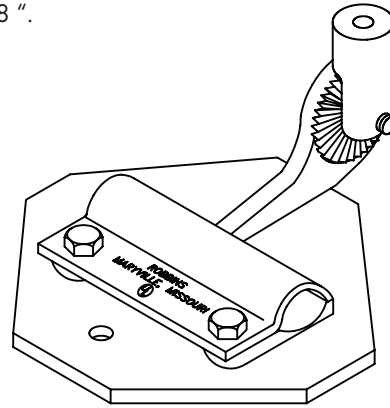


Heavy cast bronze or aluminum adjustable point base – for horizontal, vertical or pitched roof mounting – three 5/16" mounting holes for 1/4" anchors – any combination of two will provide support in masonry or metal – cable contact 2-1/2" for main sized cables through No. 605. Overall dimensions - 3-1/2" x 3-1/2" x 2-3/4".

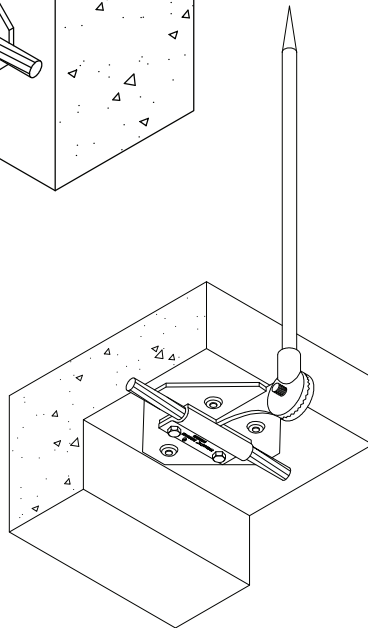
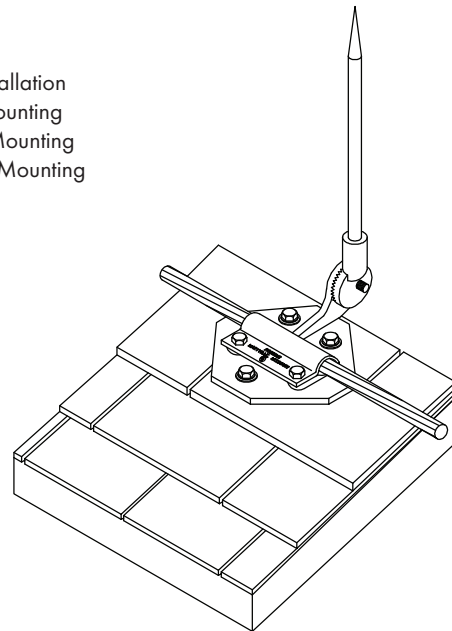
Specify diameter of point – 3/8", 1/2", or 5/8".

**Cat. No. 636** – Copper - 1 lb. - 4 oz.

**Cat. No. A636** – Aluminum - 6.6 oz.



Typical Installation  
Vertical Mounting  
Underside Mounting  
Pitched Roof Mounting



# ROBBINS LIGHTNING, INC.

124 EAST SECOND STREET PHONE (660) 582-3156 FAX (660) 582-3039 P.O. BOX 440 MARYVILLE, MISSOURI 64468-0440

