

## PIPE AND HANDRAIL POINT BASE



Heavy cast bronze or aluminum clamp-type point base for use on pipes and handrails – draws tight under bolt tension – may be used with or without cable run on pipes with sidewall thickness 0.064 in. minimum – 1-1/2" contact along axis of pipe – for use with main sized cables through No. 604. Overall dimensions - 631A 2-1/2" x 1-3/4" - 631B 4-1/4" x 1-1/2" - 631C 5-1/2" x 1-1/2".

### Copper

**Cat. No. 631A** – for 3/4" to 1-1/2" OD pipes - 11.2 oz.

**Cat. No. 631B** – for 1-3/4" to 2-1/2" OD pipes - 1 lb. - 3 oz.

**Cat. No. 631C** – for 2-1/2" to 4-1/2" OD pipes - 1 lb. - 4 oz.

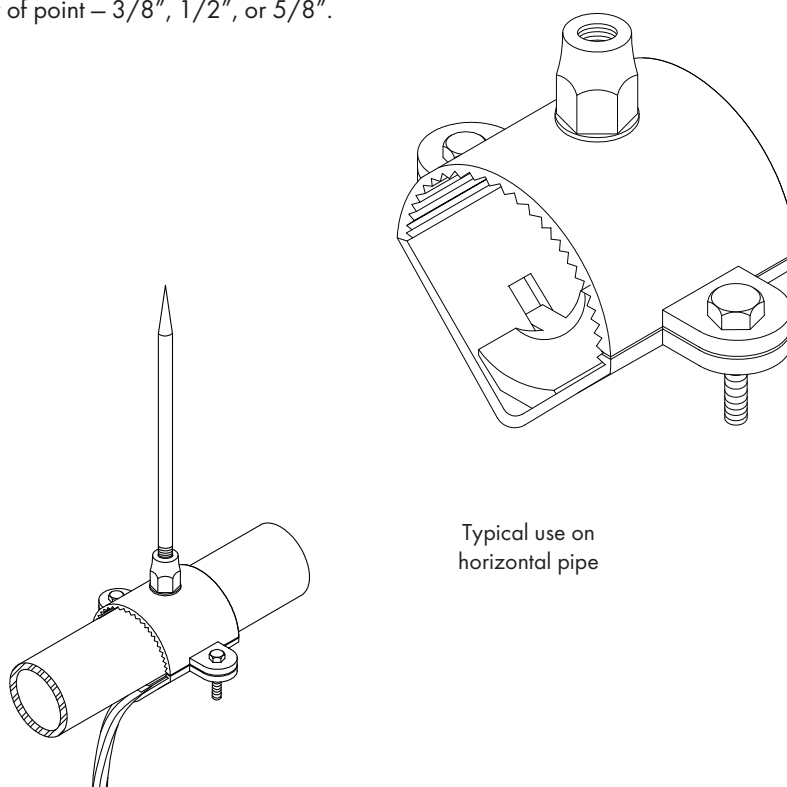
### Aluminum

**Cat. No. A631A** – for 3/4" to 1-1/2" OD pipes - 4 oz.

**Cat. No. A631B** – for 1-3/4" to 2-1/2" OD pipes - 6.6 oz.

**Cat. No. A631C** – for 2-1/2" to 4-1/2" OD pipes - 7.2 oz.

Specify diameter of point – 3/8", 1/2", or 5/8".



# ROBBINS LIGHTNING, INC.

124 EAST SECOND STREET PHONE (660) 582-3156 FAX (660) 582-3039 P.O. BOX 440 MARYVILLE, MISSOURI 64468-0440

