

# SPECIAL GOVERNMENT AIR TERMINAL BASE, SUPPORT AND CABLE HOLDER

ALL ITEMS



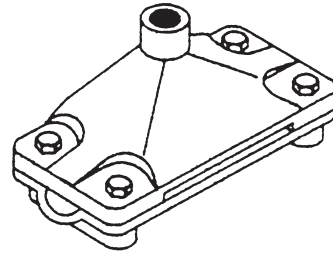
## POINT BASE

Heavy cast bronze or aluminum point base to fit securely on galvanized "V" iron support – four bolts for tension on cable and support – for main sized cables through No. 605. Note: Copper is not UL approved for use on galvanized steel. Overall dimensions - 2" x 5" x 3".

Specify diameter of point – 3/8", 1/2" or 5/8".

**Cat. No. 625** – Copper - 2 lbs. - 10 oz.

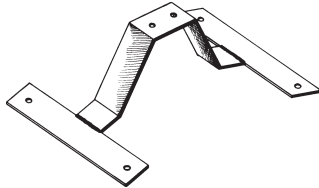
**Cat. No. A625** – Aluminum - 13.6 oz.



## BASE SUPPORT

Heavy galvanized steel point base support to stand off ridge – made of 3/16" thick, 2-1/2" wide steel – holes in feet for 3/8" lag screws or bolts.

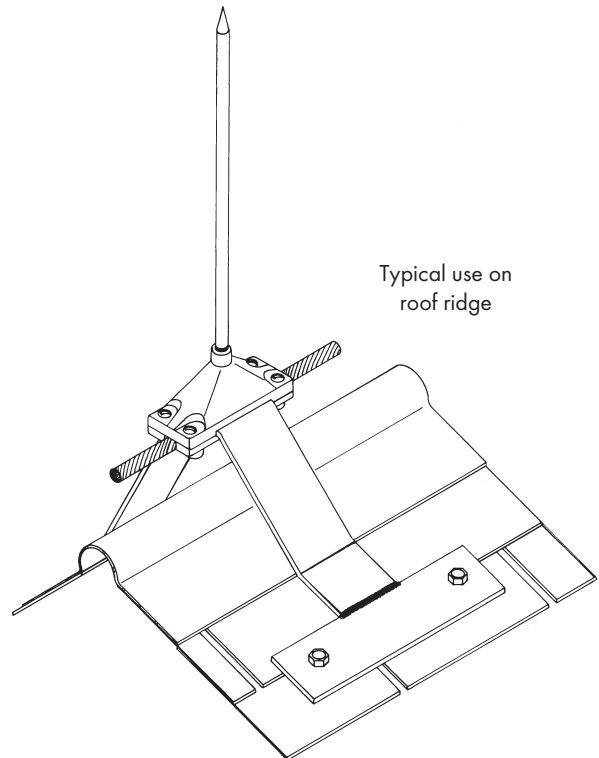
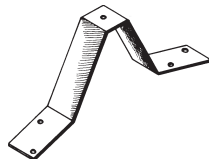
**Cat. No. 612** - 6 lbs.



## CABLE HOLDER SUPPORT

Heavy galvanized steel cable holder support to stand off ridge – made of 3/16" thick, 2-1/2" wide steel – holes in feet for 3/8" lag screw or bolt – center hole for cable clamp No. 74B or No. A74B.

**Cat. No. 614** - 5 lbs.



Typical use on  
roof ridge



# ROBBINS LIGHTNING, INC.

124 EAST SECOND STREET PHONE (660) 582-3156 FAX (660) 582-3039 P.O. BOX 440 MARYVILLE, MISSOURI 64468-0440