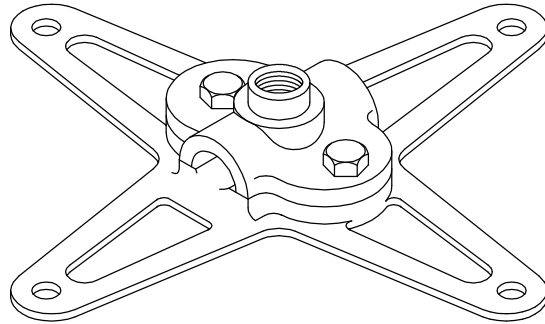


FLAT SURFACE POINT BASE



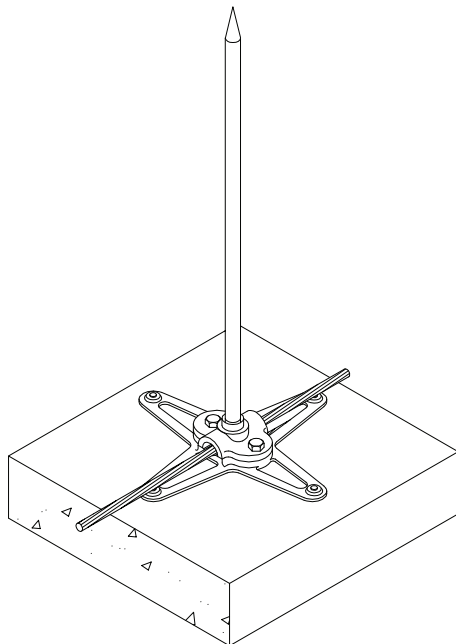
Heavy cast bronze or aluminum flat surface point base for mounting on masonry, wood or metal—four anchor holes for nails or screws—two holes only required on masonry—1-1/2" bolt tension cable contact for main sized cables through No. 605. Overall dimensions - 6-1/4" x 6-1/4".



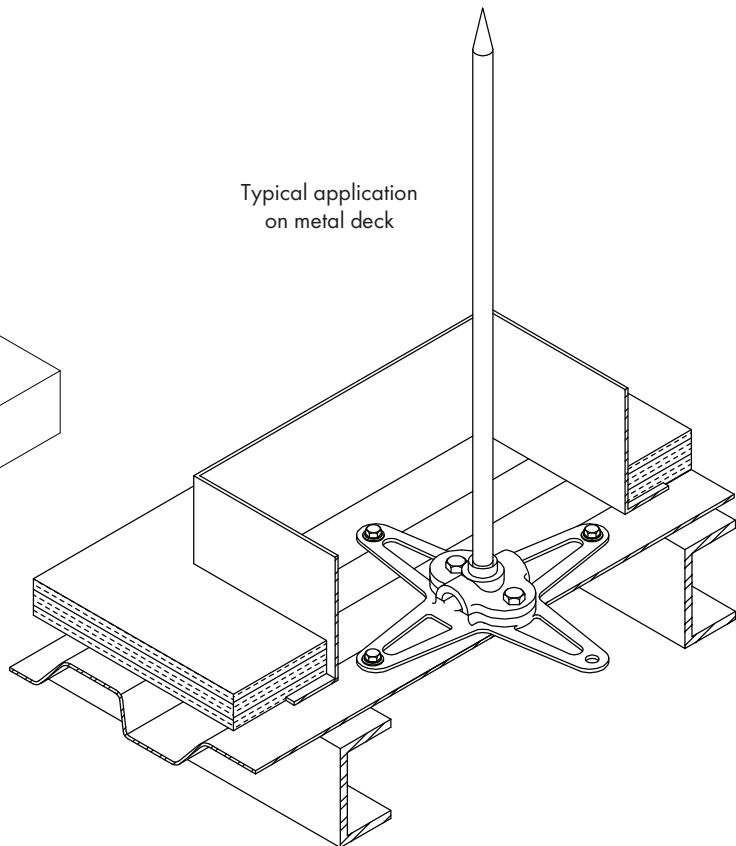
Specify diameter of point—3/8" or 1/2".
Adapter required for 5/8" threads.

Cat. No. 120—Copper - 11.4 oz.

Cat. No. A120—Aluminum - 3.7 oz.



Typical application
on masonry wall



Typical application
on metal deck



ROBBINS LIGHTNING, INC.

124 EAST SECOND STREET PHONE (660) 582-3156 FAX (660) 582-3039 P.O. BOX 440 MARYVILLE, MISSOURI 64468-0440