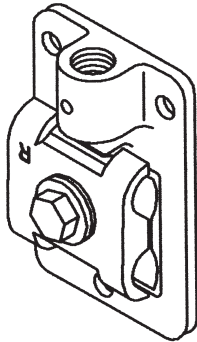


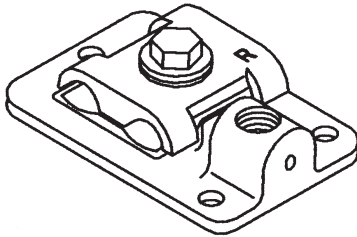
## COMBINATION POINT BASE



Heavy cast bronze or aluminum combination point base for side mount or top mount applications. Point base can be threaded for 3/8", 1/2" or 5/8" point. Bolt tension cable holder with 1-1/2" contact. Three anchor holes for fasteners. For main sized cables through No. 605. Over 8 in<sup>2</sup> surface area contact. Overall dimensions - 3-1/2" x 2-3/8".

Specify diameter of point - 3/8", 1/2" or 5/8".

No. 637A or A637A



No. 637B or A637B

### Copper

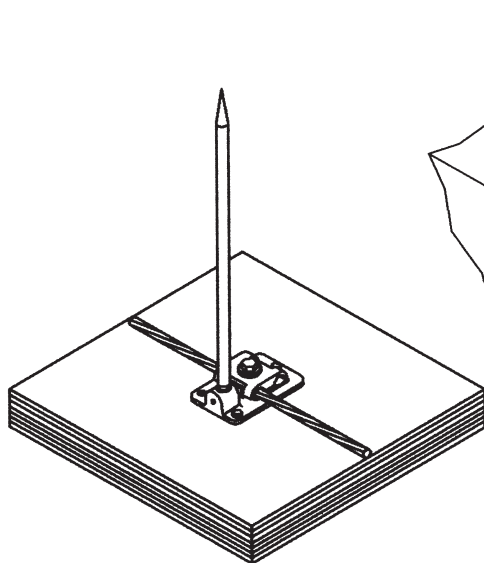
**Cat. No. 637A** – Vertical side mount - 13.4 oz.

**Cat. No. 637B** – Horizontal top mount - 13.4 oz.

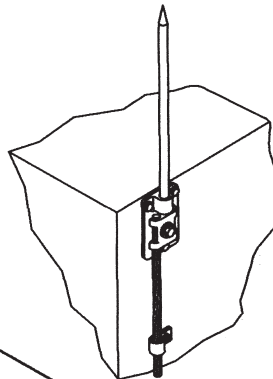
### Aluminum

**Cat. No. A637A** – Vertical side mount - 4.8 oz.

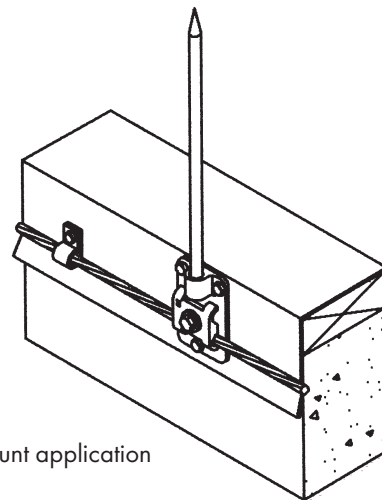
**Cat. No. A637B** – Horizontal top mount - 4.8 oz.



Top mount application



Side mount application  
with vertical cable run



Side mount application

# ROBBINS LIGHTNING, INC.

124 EAST SECOND STREET PHONE (660) 582-3156 FAX (660) 582-3039 P.O. BOX 440 MARYVILLE, MISSOURI 64468-0440

