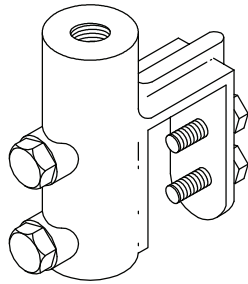


FLUE LINER/V.T.R. POINT BASE

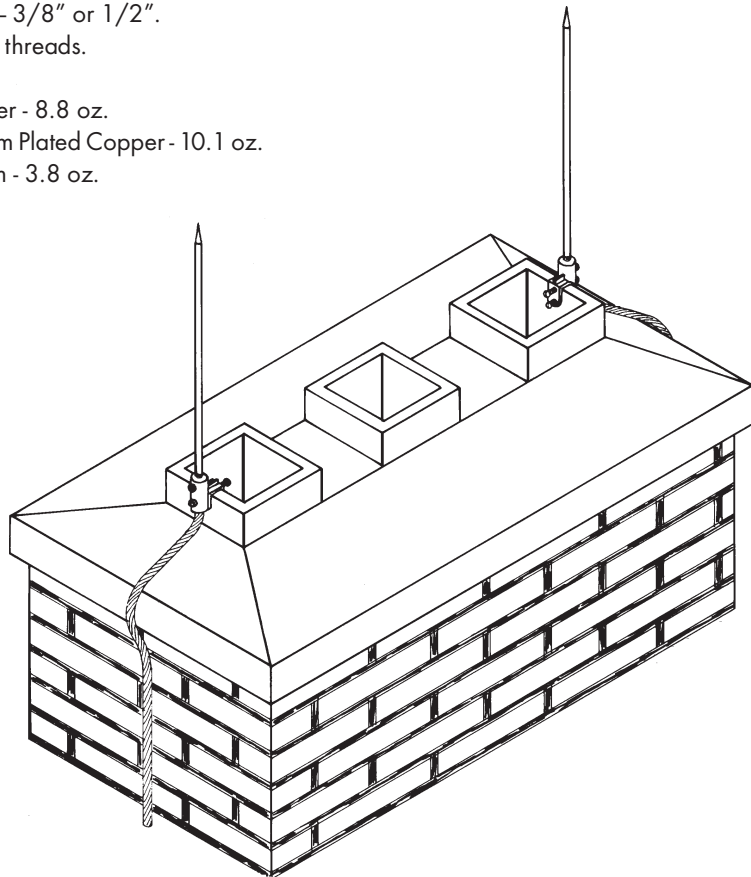


Heavy cast bronze or aluminum point base for use on rim of clay tile or glazed tile flue liner. Draws tight with two 1/4" set screws on tile thickness to 1-1/4" – cable contact 1-1/2" with two 1/4" set screws for pressure. For main sized cables through No. 605 and for points 3/8" and 1/2" in diameter. Copper bases can be cadmium plated to prevent corrosion from flue gases. Overall dimensions - 3" x 3" x 1". Maximum recommended torque on mounting bolts 25in/lbs.



Specify diameter of point – 3/8" or 1/2".
Adapter required for 5/8" threads.

Cat. No. 49 – Bare Copper - 8.8 oz.
Cat. No. 49BM – Cadmium Plated Copper - 10.1 oz.
Cat. No. A49 – Aluminum - 3.8 oz.



Typical use on
flue liner tile

ROBBINS LIGHTNING, INC.

124 EAST SECOND STREET PHONE (660) 582-3156 FAX (660) 582-3039 P.O. BOX 440 MARYVILLE, MISSOURI 64468-0440

