

TILE ROOF POINT BASE AND CABLE FASTNER

ALL ITEMS



TILE ROOF POINT BASE

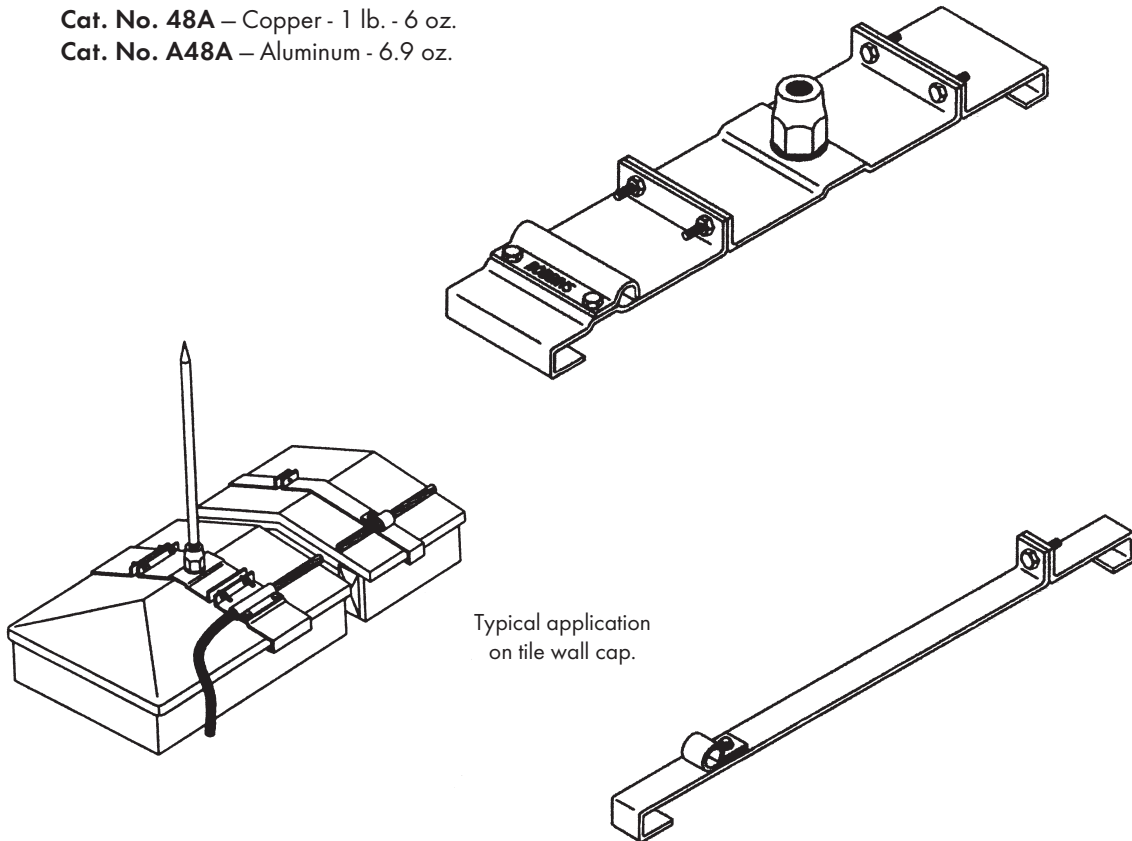
Copper or aluminum strap point base for "no hole" installation on Spanish tile ridge cap or glazed tile wall cap – 2-1/2" wide with two 1" bolts to draw tight to tile – cable contact 2-1/2" for main sized cables through No. 605. Overall dimensions - 2-1/2" x 11-1/2".

Standard length for 12" tile – longer span length available upon request.

Specify diameter of point – 3/8", 1/2", 5/8".

Cat. No. 48A – Copper - 1 lb. - 6 oz.

Cat. No. A48A – Aluminum - 6.9 oz.



TILE ROOF CABLE HOLDER

Copper or aluminum strap cable holder for "no hole" installation on Spanish tile ridge cap or glazed tile wall cap – 5/8" wide with 1" bolt to draw tight to tile. Includes No. 72 loop.

For main and secondary sized cables through No. 604. Overall dimensions - 5/8" x 11-1/2".

Standard length for 12" tile – longer span length available upon request.

Cat. No. 76X – Copper - 3.2 oz.

Cat. No. A76X – Aluminum - 1.2 oz.

ROBBINS LIGHTNING, INC.

124 EAST SECOND STREET PHONE (660) 582-3156 FAX (660) 582-3039 P.O. BOX 440 MARYVILLE, MISSOURI 64468-0440

