

SIDE RIDGE POINT BASE

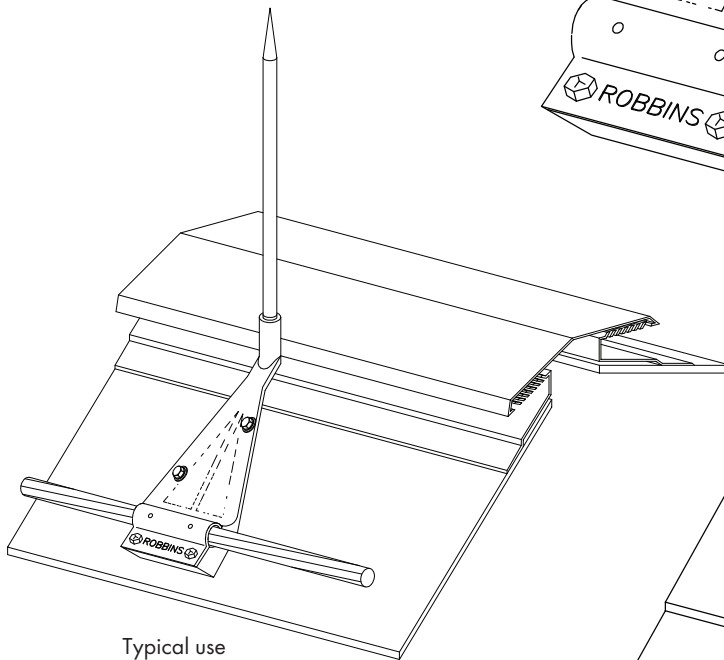
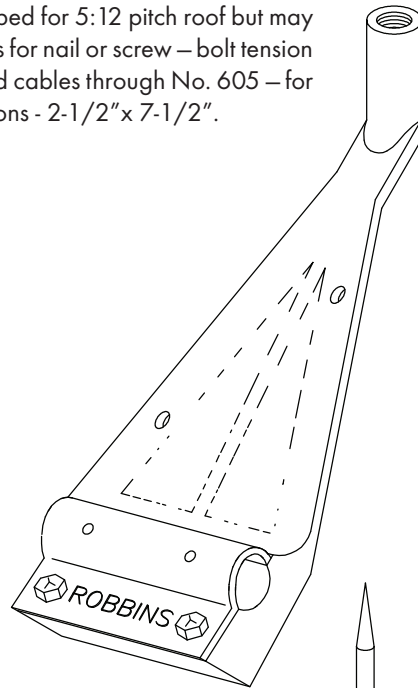


Heavy cast bronze or aluminum side ridge point base for use on back side of roof to hide mounting from view. May be set below ridge cap or ridge vent with point extending 10" minimum above ridge. Shipped for 5:12 pitch roof but may be formed for other roof pitch – two anchor holes for nail or screw – bolt tension cable holder with 2-1/2" contact – for main sized cables through No. 605 – for points 3/8" or 1/2" diameter. Overall dimensions - 2-1/2" x 7-1/2".

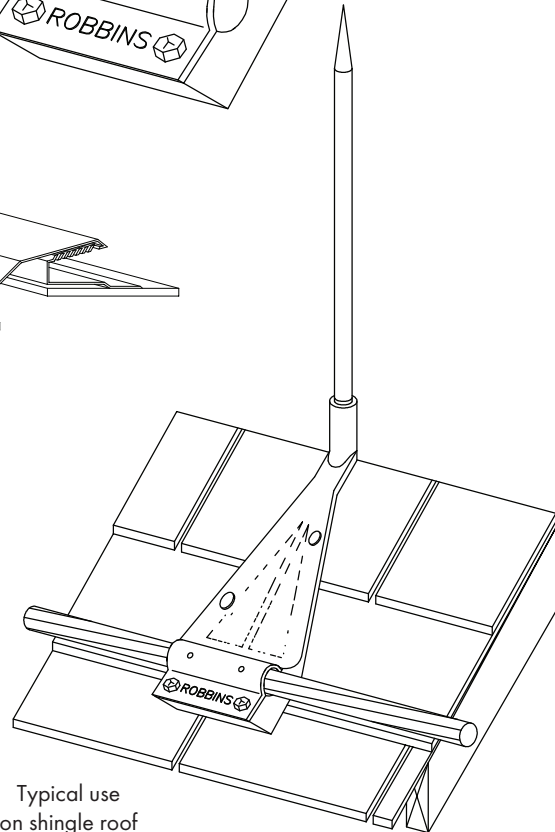
Specify diameter of point – 3/8" or 1/2".
Adapter required for 5/8" threads.

Cat. No. 47 – Copper - 11.4 oz.

Cat. No. A47 – Aluminum - 3.7 oz.



Typical use
on vent ridge



Typical use
on shingle roof

ROBBINS LIGHTNING, INC.

124 EAST SECOND STREET PHONE (660) 582-3156 FAX (660) 582-3039 P.O. BOX 440 MARYVILLE, MISSOURI 64468-0440

