

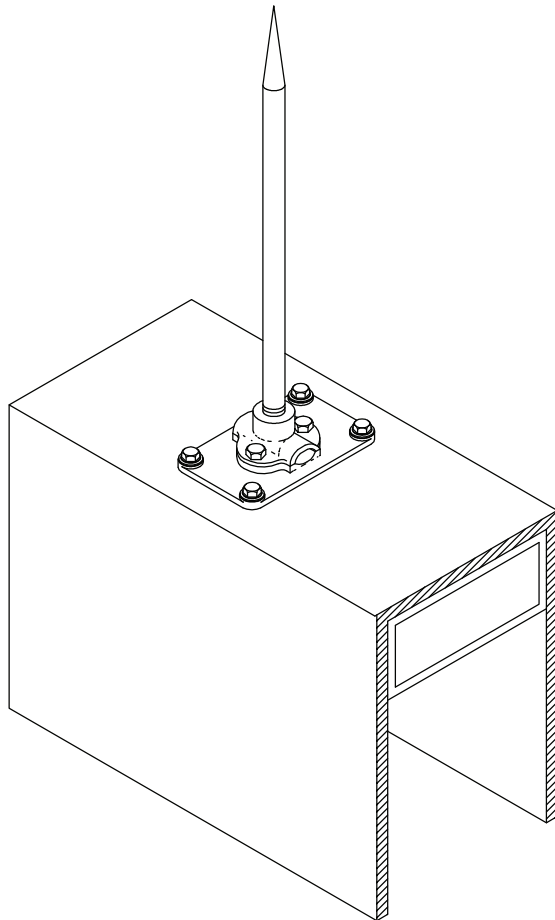
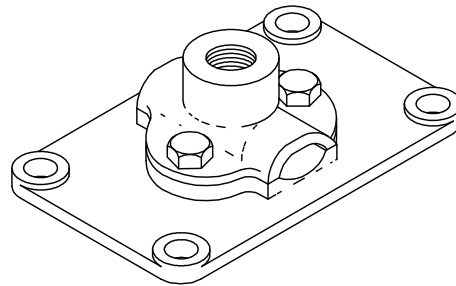
## TOP MOUNT POINT BASE



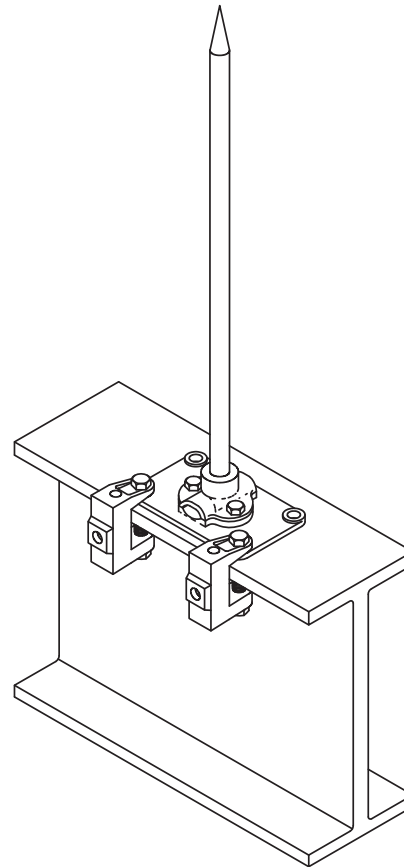
Heavy cast bronze or aluminum metal point base – over 8 square inches of contact surface – 1-1/2" cable contact. May be fastened to flat surfaces with metal screws, wood screws, bolts and nuts or may be brazed. For main sized cable through No. 605. Overall dimensions - 2-1/4" x 4".

Specify diameter of point – 3/8" or 1/2".  
Adapter required for 5/8" threads.

**Cat. No. 656P** – Copper - 11.6 oz.  
**Cat. No. A656P** – Aluminum - 4 oz.



Typical use on metal surface



# ROBBINS LIGHTNING, INC.

124 EAST SECOND STREET PHONE (660) 582-3156 FAX (660) 582-3039 P.O. BOX 440 MARYVILLE, MISSOURI 64468-0440

