

STANDING SEAM POINT BASE

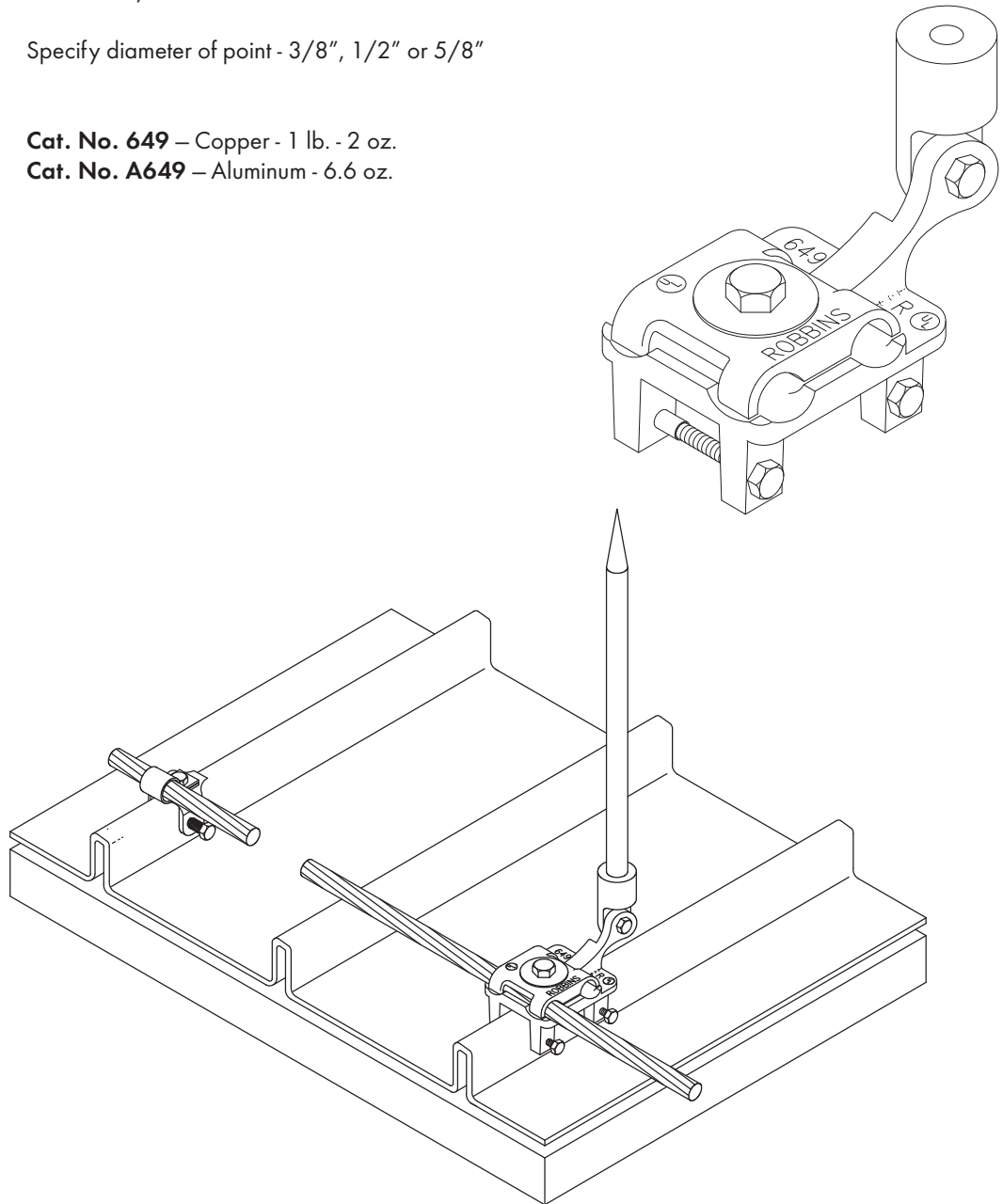


Heavy cast bronze or aluminum base for use on standing seam roof. Will accept seam width up to 3/4". Adjustable for cable run in either direction. Rubber caps included on bolts to prevent damage to roof. Swivel adapter adjusts to alter direction of point for sloping roofs. Bolt tension cable holder with 1-1/2" contact for main sized cables through No. 605. Overall dimensions - 3-1/2" x 2" x 3-3/4". Maximum recommended torque on mounting bolts: 15 in / lbs.

Specify diameter of point - 3/8", 1/2" or 5/8"

Cat. No. 649 – Copper - 1 lb. - 2 oz.

Cat. No. A649 – Aluminum - 6.6 oz.



ROBBINS LIGHTNING, INC.

124 EAST SECOND STREET PHONE (660) 582-3156 FAX (660) 582-3039 P.O. BOX 440 MARYVILLE, MISSOURI 64468-0440

