

STRAP RIDGE POINT BASE



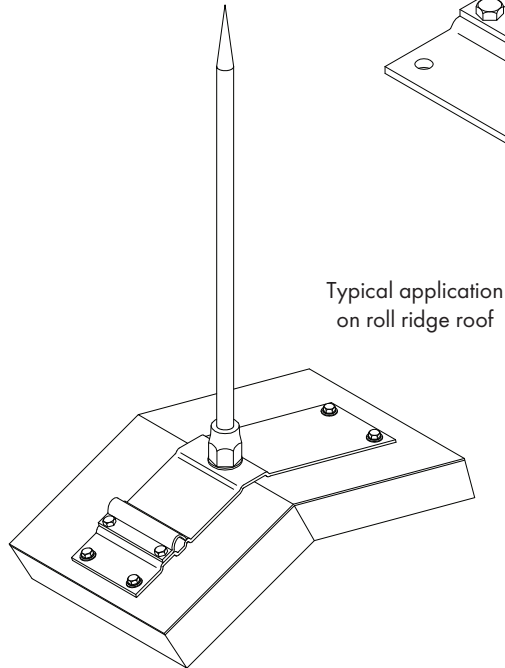
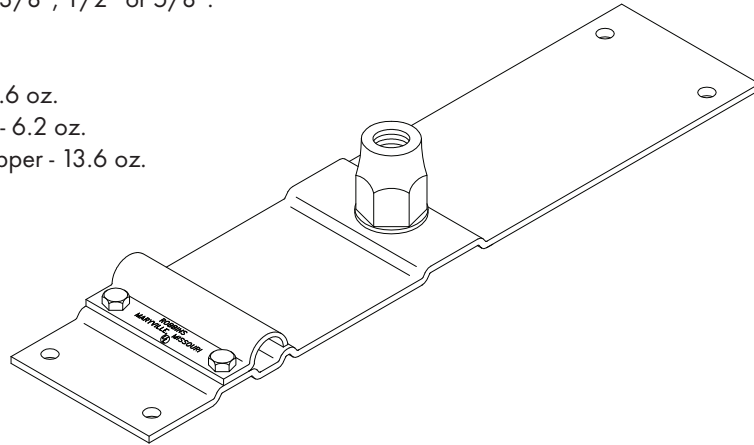
Strap copper or aluminum point base for use on ridge, flat or sloping roof – shipped flat but may be formed to fit roof – copper base 0.064" thick, aluminum base 0.100" thick – 2-1/2" wide, 12" long – four anchor holes for nails or screws – bolt tension cable holder with 2-1/2" contact for main sized cables through No. 605.

Specify diameter of point – 3/8", 1/2" or 5/8".

Cat. No. 45 – Copper - 13.6 oz.

Cat. No. A45 – Aluminum - 6.2 oz.

Cat. No. 45T – Tinned Copper - 13.6 oz.

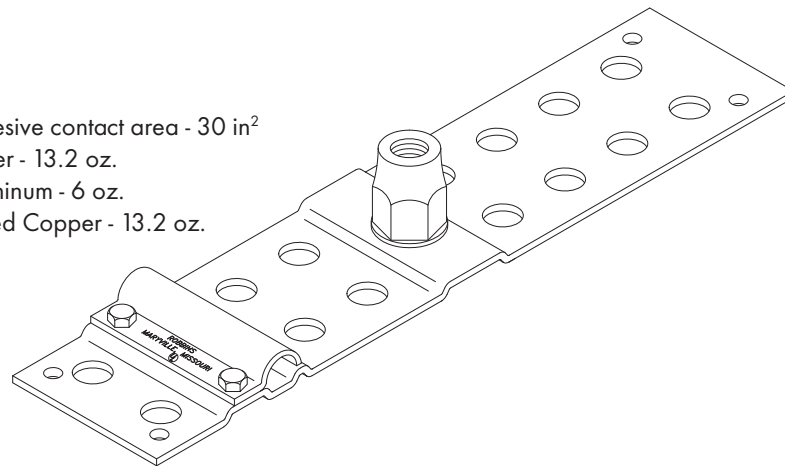


Adhesive Type – Adhesive contact area - 30 in²

Cat. No. 45A – Copper - 13.2 oz.

Cat. No. A45A – Aluminum - 6 oz.

Cat. No. 45AT – Tinned Copper - 13.2 oz.



ROBBINS LIGHTNING, INC.

124 EAST SECOND STREET PHONE (660) 582-3156 FAX (660) 582-3039 P.O. BOX 440 MARYVILLE, MISSOURI 64468-0440

