

CAST RIDGE OR FLAT POINT BASE



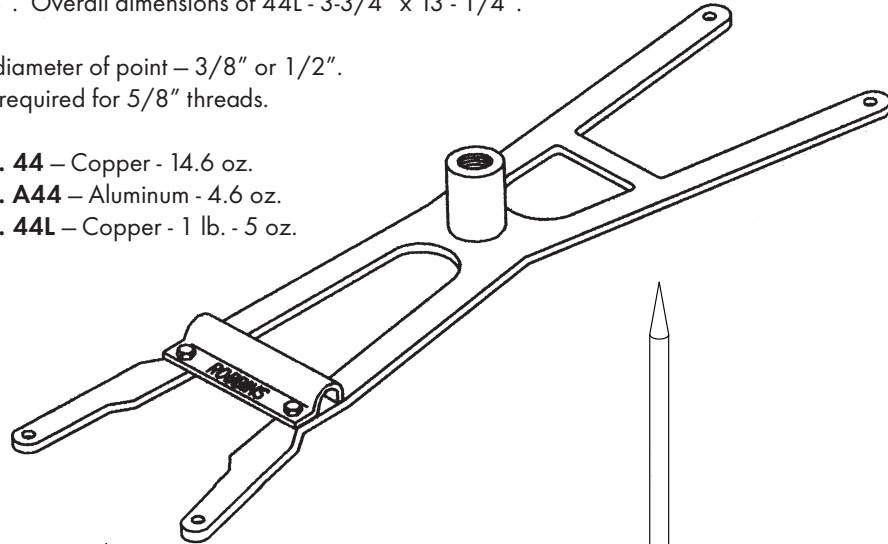
Heavy cast bronze or aluminum point base for use on ridge, flat or sloping roof – shipped flat but may be formed to fit roof – four anchor holes for nail or screw – bolt tension cable holder with 2-1/2 inch contact for main sized cables through No. 605. Overall dimensions of 44 - 3-1/4" x 10-1/4". Overall dimensions of 44L - 3-3/4" x 13 - 1/4".

Specify diameter of point – 3/8" or 1/2".
Adapter required for 5/8" threads.

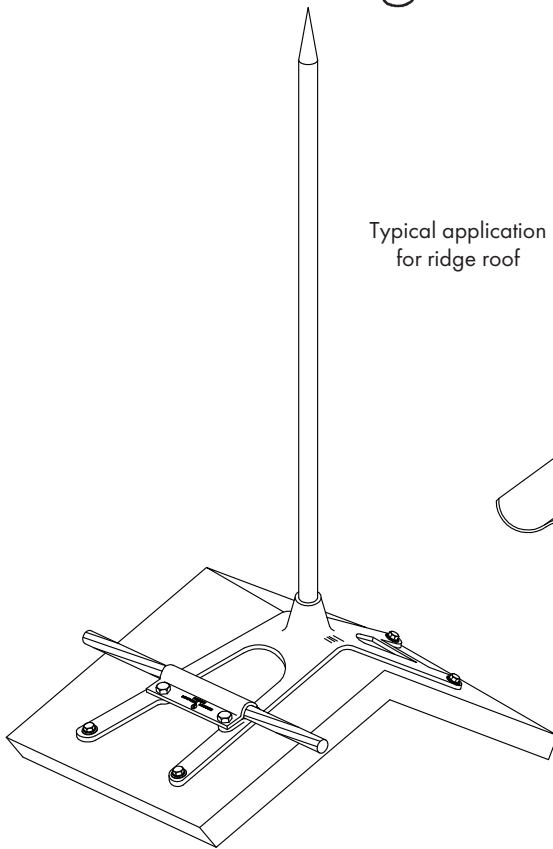
Cat. No. 44 – Copper - 14.6 oz.

Cat. No. A44 – Aluminum - 4.6 oz.

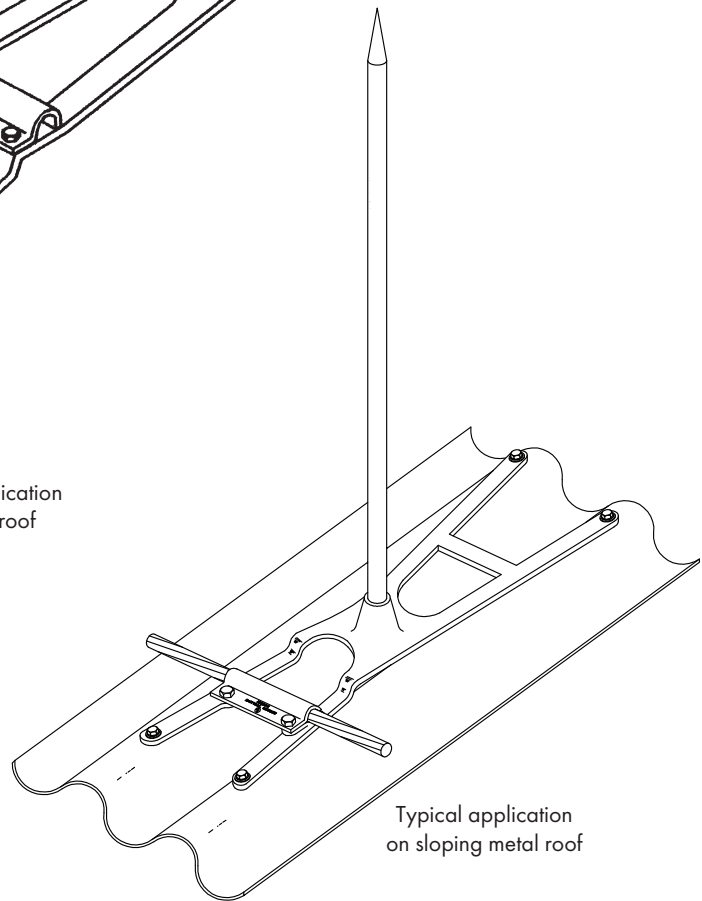
Cat. No. 44L – Copper - 1 lb. - 5 oz.



Typical application
for ridge roof



Typical application
on sloping metal roof



ROBBINS LIGHTNING, INC.

124 EAST SECOND STREET PHONE (660) 582-3156 FAX (660) 582-3039 P.O. BOX 440 MARYVILLE, MISSOURI 64468-0440

