

TEE POINT BASE

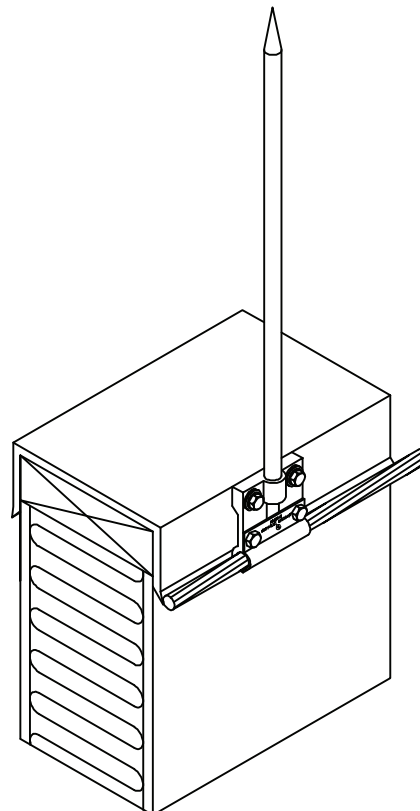
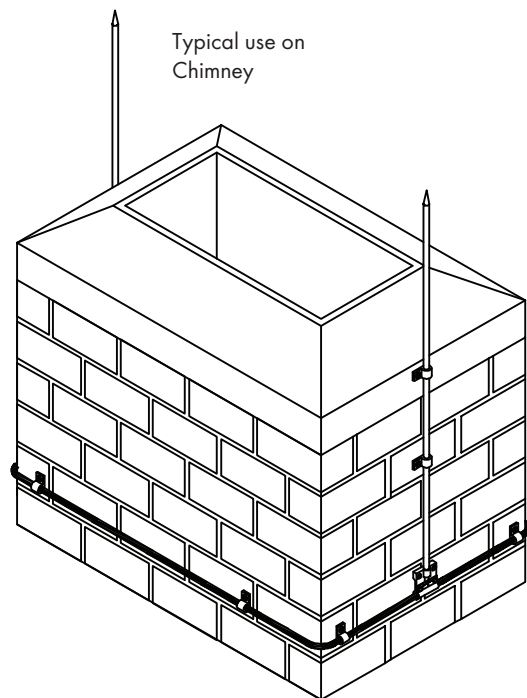
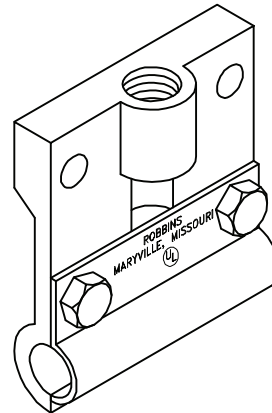


Heavy cast bronze or aluminum tee point base for use when cable run is perpendicular to point position. Top end is threaded to receive point. Two anchor holes for fasteners. Bolt tension cable holder with 2 - 1/2" contact for main sized cables through No. 605. Overall dimensions - 2-1/2" x 2 - 3/4".

Specify diameter of point - 3/8", 1/2" or 5/8".

Cat. No. 42H - Copper - 11.1 oz.

Cat. No. A42H - Aluminum - 4.2 oz.



ROBBINS LIGHTNING, INC.

124 EAST SECOND STREET PHONE (660) 582-3156 FAX (660) 582-3039 P.O. BOX 440 MARYVILLE, MISSOURI 64468-0440

