

## SIDE MOUNT POINT BASE

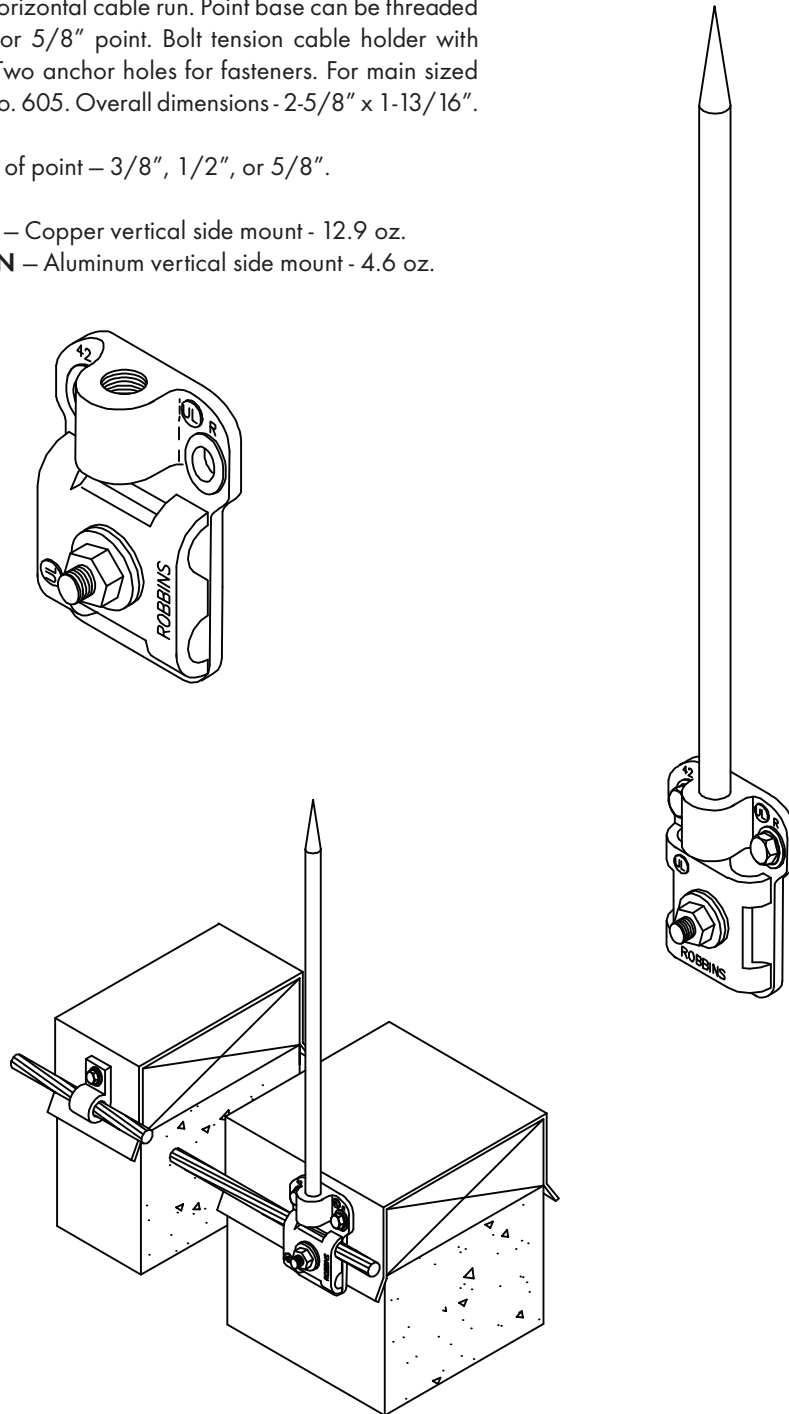


Heavy cast bronze or aluminum slide mount point base for use on vertical and/or horizontal cable run. Point base can be threaded for 3/8", 1/2", or 5/8" point. Bolt tension cable holder with 1-1/2" contact. Two anchor holes for fasteners. For main sized cables through No. 605. Overall dimensions - 2-5/8" x 1-13/16".

Specify diameter of point – 3/8", 1/2", or 5/8".

**Cat. No. 42AN** – Copper vertical side mount - 12.9 oz.

**Cat. No. A42AN** – Aluminum vertical side mount - 4.6 oz.



# ROBBINS LIGHTNING, INC.

124 EAST SECOND STREET PHONE (660) 582-3156 FAX (660) 582-3039 P.O. BOX 440 MARYVILLE, MISSOURI 64468-0440

