

SPECIAL PURPOSE POINTS

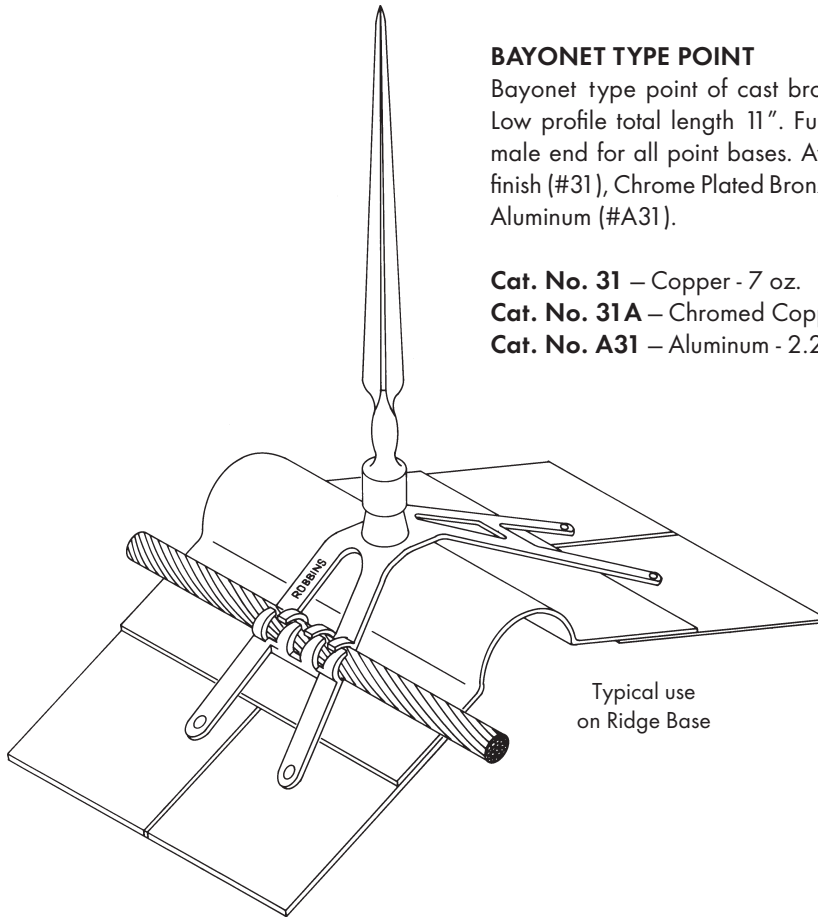
BAYONET TYPE POINT

Bayonet type point of cast bronze or aluminum. Low profile total length 11". Furnished with 1/2" male end for all point bases. Available in Bronze finish (#31), Chrome Plated Bronze (#31A), or Satin Aluminum (#A31).

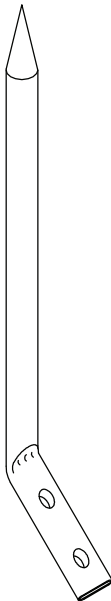
Cat. No. 31 – Copper - 7 oz.

Cat. No. 31A – Chromed Copper - 7 oz.

Cat. No. A31 – Aluminum - 2.2 oz.



Typical use
on Ridge Base

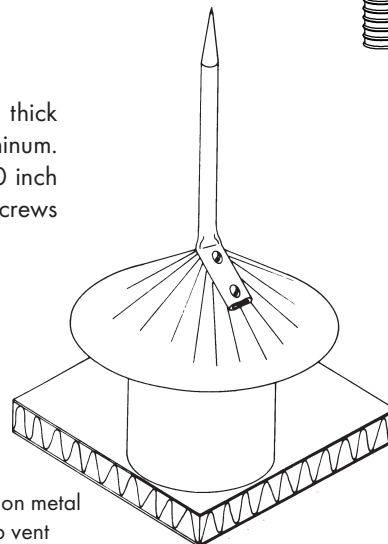


TUBULAR VENT POINT

Tubular Vent Point of 5/8" diameter x 0.032" thick copper or 0.84" diameter x 0.109" thick aluminum. Provides 3 square inch contact surface and 10 inch point length. Fasten to metal surface with metal screws or bolts and nuts.

Cat. No. 37 – Copper - 4.4 oz.

Cat. No. A37 – Aluminum - 2 oz.



Typical use on metal
cone top vent

ROBBINS LIGHTNING, INC.

124 EAST SECOND STREET PHONE (660) 582-3156 FAX (660) 582-3039 P.O. BOX 440 MARYVILLE, MISSOURI 64468-0440

