

POINT AND CABLE HOLDERS



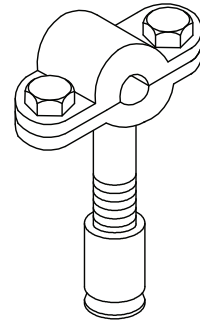
Heavy duty cast bronze point, cable or tubular protector pipe holder – bolt tension cap for positive holding – 3/8" stem diameter – furnished without anchor (Series No. 433 and No. 433B), and with two stainless steel nuts and washers (Series No. 439A and No. 439C) – bare holder for use with 7/8" OD standard protector pipes.

Copper

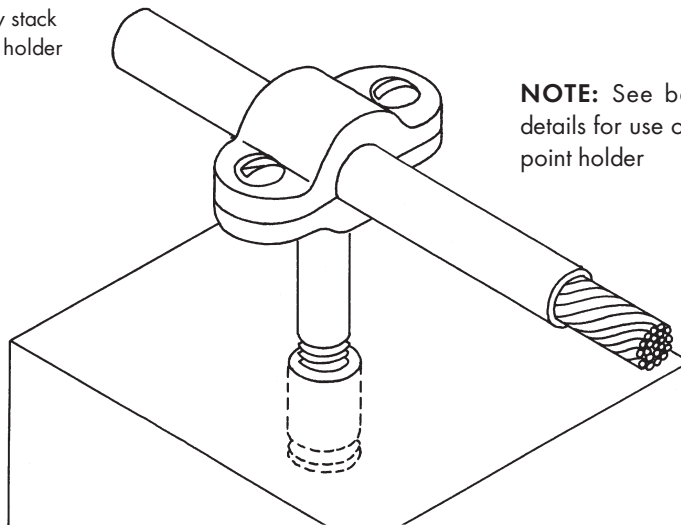
Cat. No. 433B-3 – Bare bronze, 3/8" stem, no anchor - 4 oz.

Cat. No. 439B-3 – Bare bronze, 3/8" stem and anchor for masonry - 6 oz.

Cat. No. 439C-3 – Bare bronze, 3/8" stem for metal - 7.9 oz.



Typical use on
masonry stack
as cable holder



NOTE: See base No. 420
details for use of this series as
point holder



ROBBINS LIGHTNING, INC.

124 EAST SECOND STREET PHONE (660) 582-3156 FAX (660) 582-3039 P.O. BOX 440 MARYVILLE, MISSOURI 64468-0440