

HEAVY DUTY CABLE SPLICERS

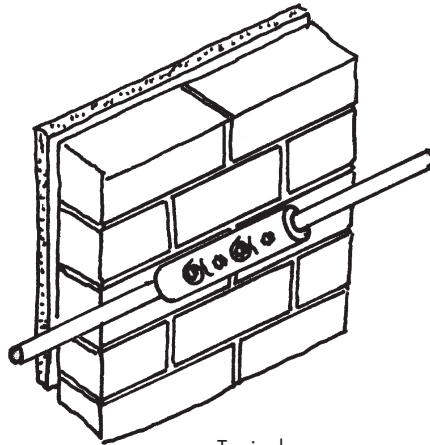
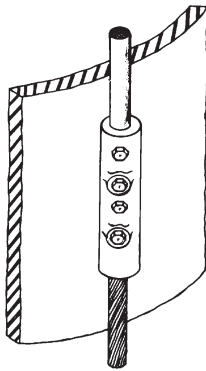
ALL ITEMS



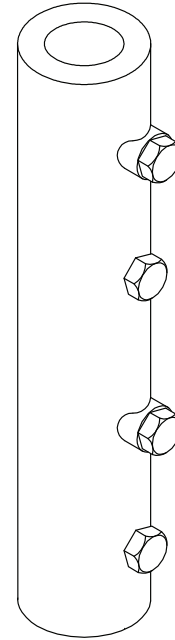
Heavy duty cast bronze cable splicer for use in closing lead coated encircling band on stack or for lead coated cable to bare cable connection – each cable end held securely with two bolt tension – Series No. 418 bare bronze – for use with cables No. 604 or No. 605.

Cat. No. 418 – Bare Bronze - 11 oz.

Typical use as
bare cable splicer

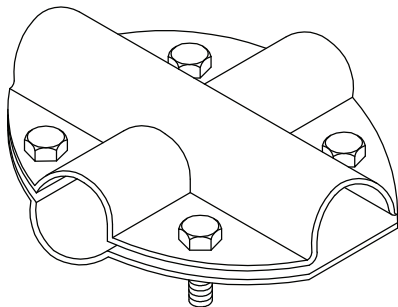


Typical use as
encircling band
splicer

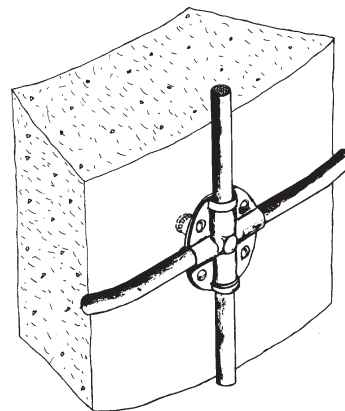


Heavy duty cast stainless steel cross run cable splicer – cable held securely by four bolt tension – for use on top 25' of stack and mid-point encircling band – for use with cables No. 401, No. 402, No. 403 or No. 404. Overall dimensions - 3 - 1/2" x 3".

Cat. No. 466S – Stainless Steel - 1 lb. - 5 oz.



Typical use as
encircling band
splicer



ROBBINS LIGHTNING, INC.

124 EAST SECOND STREET PHONE (660) 582-3156 FAX (660) 582-3039 P.O. BOX 440 MARYVILLE, MISSOURI 64468-0440

