

## STACK POINT BASE — SIDE MOUNT



Heavy duty cast stainless steel point base for mounting on vertical surface — threaded end to receive 1/2" or 5/8" diameter points — may be used as two-way, three-way or four-way connection — available in series No. 420B for use in masonry concealed, or in series No. 420 or No. 420A for exposed installation — all screws stainless steel to resist corrosion — series No. 420 furnished complete with 3/8" or 1/2" screw and expansion anchor in back plate — for metal stack, series No. 420A furnished with 3/8" or 1/2" screw, two nuts and two washers — for use with cables No. 604, No. 605, and No. 604L. Overall dimensions 4-1/2" x 3" - weight is 1 lb. - 5 oz.

**Cat. No. 420-44S** — for 1/2" point, 1/2" anchor

**Cat. No. 420-45S** — for 5/8" point, 1/2" anchor

**Cat. No. 420-34S** — for 1/2" point, 3/8" anchor

**Cat. No. 420-35S** — for 5/8" point, 3/8" anchor

**Cat. No. 420A-44S** — for 1/2" point, for metal 1/2"

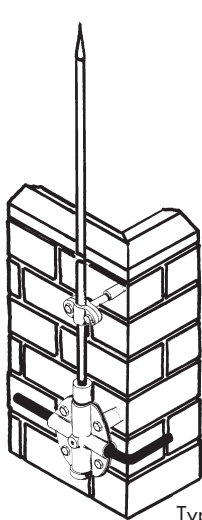
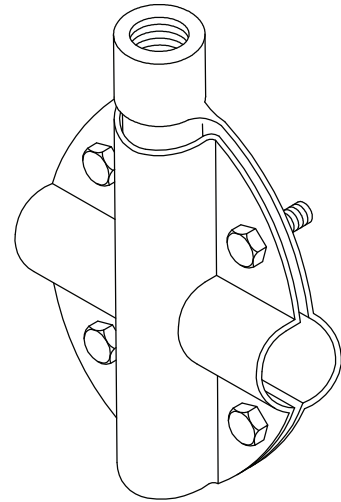
**Cat. No. 420A-45S** — for 5/8" point, for metal 1/2"

**Cat. No. 420A-34S** — for 1/2" point, for metal 3/8"

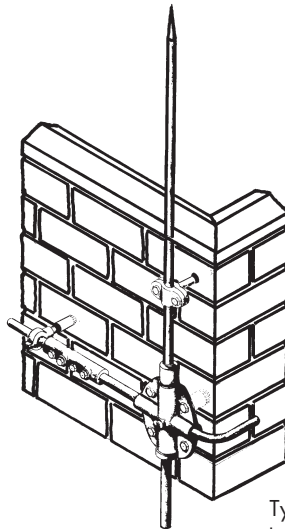
**Cat. No. 420A-35S** — for 5/8" point, for metal 3/8"

**Cat. No. 420B-4S** — for 1/2" point, no anchor

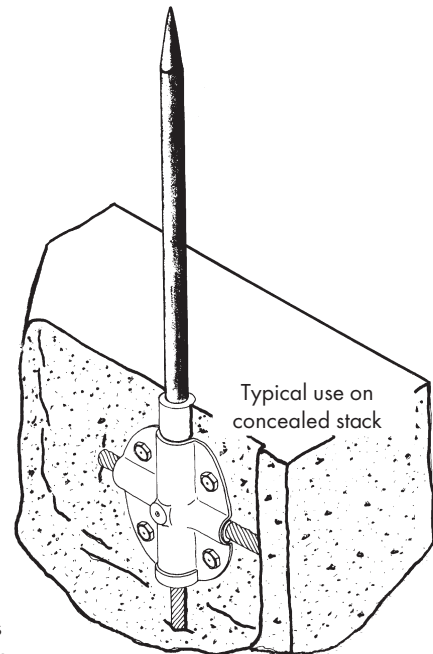
**Cat. No. 420B-5S** — for 5/8" point, no anchor



Typical use  
on brick stack



Typical use as  
three way base



# ROBBINS LIGHTNING, INC.

124 EAST SECOND STREET PHONE (660) 582-3156 FAX (660) 582-3039 P.O. BOX 440 MARYVILLE, MISSOURI 64468-0440

