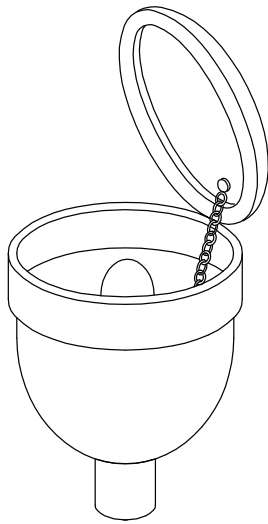
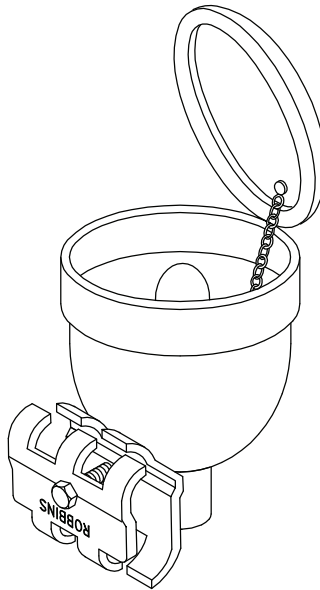


STATIC GROUNDING RECEPTACLES (Aircraft Type)



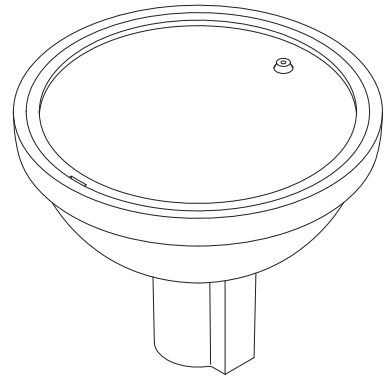
Cat. No. 680 – Copper - 1 lb. - 11 oz.

Cast bronze aircraft type static grounding receptacle. Cover attached with strong linked chain. Replaceable stud for standard 1/2" grounding connector. Base threaded to receive 3/4" sectional ground rod or extension rod. Overall dimensions - 2-15/16" x 3-15/16". Inside dimension: 2-1/4" diameter.



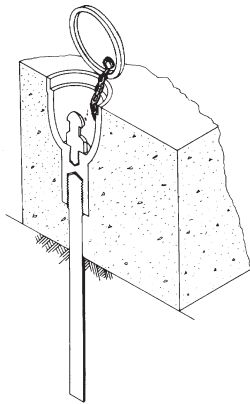
Cat. No. 680A – Copper - 2 lbs.

Same as No. 680 described at left except cable connector No. 68A added. Cable capacity No. 6 AWG through No. 250 MCM AWG. Overall dimensions: 2-15/16" diameter x 3-15/16". Inside dimension: 2-1/4" diameter.

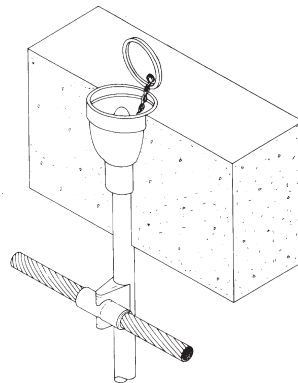


Cat. No. 681 – Copper - 3 lbs.

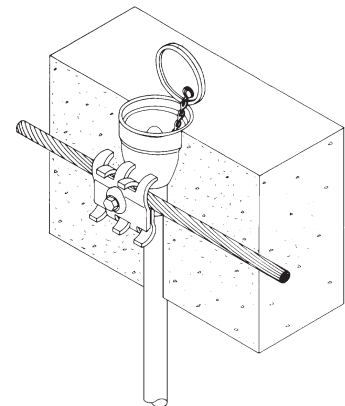
Same as No. 680 described at left except with dimensions as follows: Overall dimensions: 4-1/2" diameter x 3 - 7/16". Inside dimension - 1-15/16" diameter.



Typical use with
ground rod only



Typical use with welded
connection to cable in slab



Typical use with clamped
connection to cable in slab

ROBBINS LIGHTNING, INC.

124 EAST SECOND STREET PHONE (660) 582-3156 FAX (660) 582-3039 P.O. BOX 440 MARYVILLE, MISSOURI 64468-0440

