

## BONDING PLATE

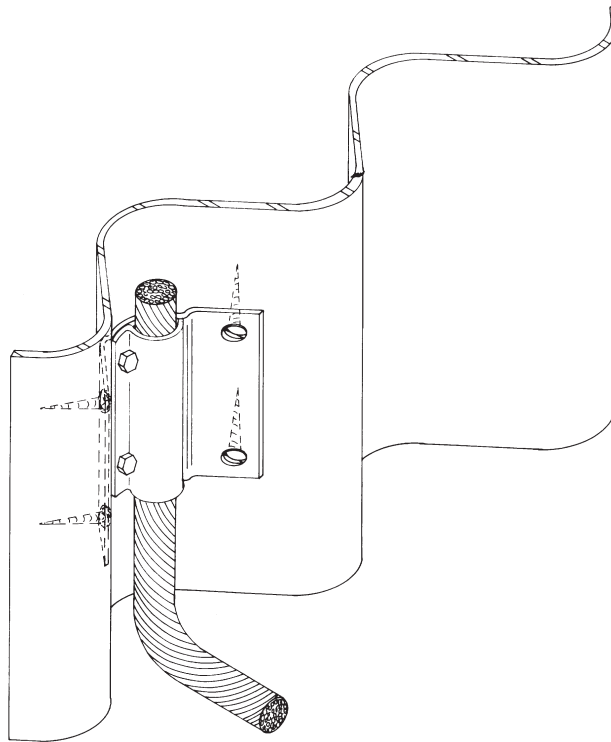
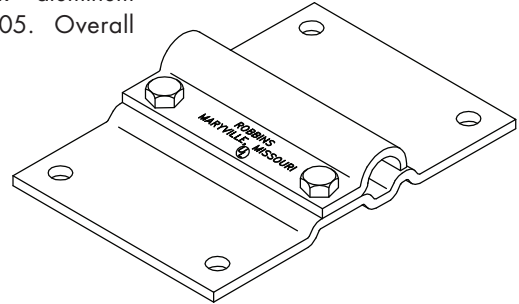


Strap copper, tinned copper, or aluminum bonding plate for metal surface, flat or curved – over 8 square inches of contact on surface and 2-1/2" long contact under bolt tension on cable – four mounting holes for metal screws or bolts with nuts – copper 0.064" thick – aluminum 0.080" thick – for main sized cables through No. 605. Overall dimensions - 2-1/2" x 5".

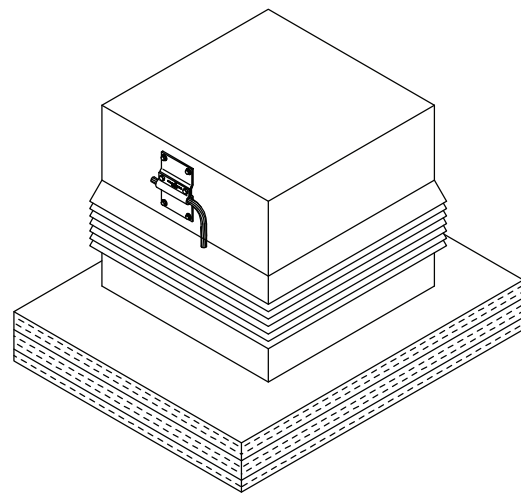
**Cat. No. 56C** – Copper - 6.1 oz.

**Cat. No. 56CT** – Tinned Copper - 6.1 oz.

**Cat. No. A56C** – Aluminum - 2.9 oz.



Typical use on  
metal siding



Typical use on  
exhaust fan



# ROBBINS LIGHTNING, INC.

124 EAST SECOND STREET PHONE (660) 582-3156 FAX (660) 582-3039 P.O. BOX 440 MARYVILLE, MISSOURI 64468-0440