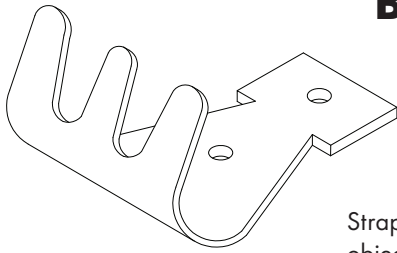


BONDING PLATE



FOR CLASS I
STRUCTURES
ONLY

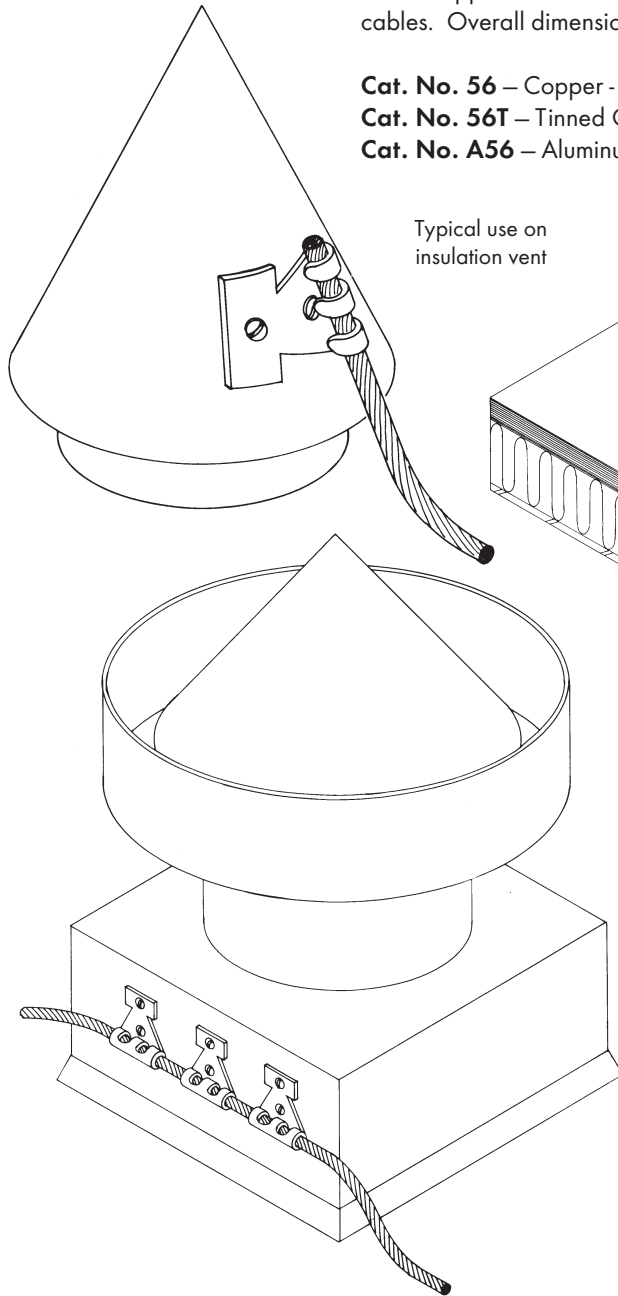


Strap copper, tinned copper or aluminum bonding plate for small metal objects, flat or curved, requiring 3 square inches of contact surface – cable contact 2-1/2" long crimp type – two holes for metal screws or bolts with nuts – copper 0.064" thick – aluminum 0.08" thick. For all main sized cables. Overall dimensions - 2-1/4" x 2-3/4".

Cat. No. 56 – Copper - 2.1 oz.

Cat. No. 56T – Tinned Copper - 2.1 oz.

Cat. No. A56 – Aluminum - 1 oz.



Typical use on
insulation vent

Typical use on metal vent
with continuing cable run

ROBBINS LIGHTNING, INC.

124 EAST SECOND STREET PHONE (660) 582-3156 FAX (660) 582-3039 P.O. BOX 440 MARYVILLE, MISSOURI 64468-0440

