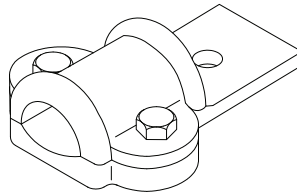


BONDING LUGS

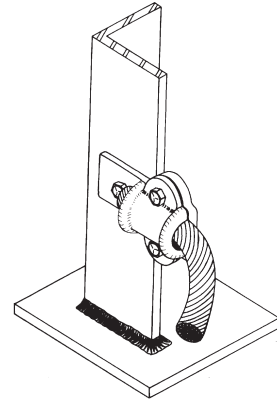
Heavy cast bronze or aluminum bonding lug with 3 square inches of surface contact on flat metal – cable contact 1-1/2" under bolt tension – anchor bolt hole for 3/8" diameter bolt – available with hole for 1/2" bolt on special request – fits all main sized cables through No. 605. May be used for extra cable runs from a thru-wall or thru-roof connector on Class I or Class II systems. Overall dimensions - 2-1/4" x 2-3/4".

Cat. No. 55B – Copper - 8.2 oz.

Cat. No. A55B – Aluminum - 2.6 oz.



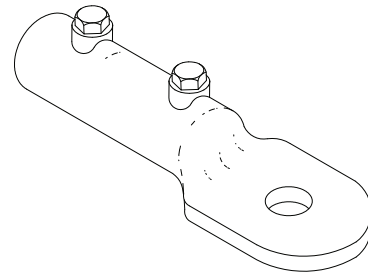
Typical use on equipment support



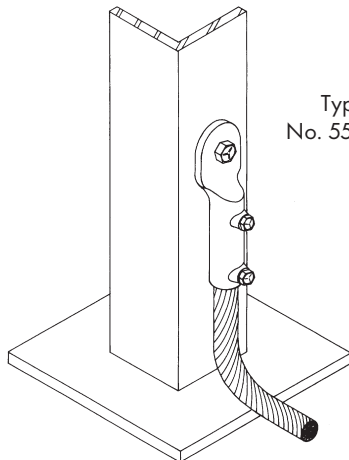
Heavy cast bronze or aluminum bonding lug for flat metal surface – cable contact over 2" long with two 1/4" bolt pressure on cable – for use with main sized cables through No. 605 with hole for 3/8" bolt. Available with hole for 1/2" bolt on special request. Overall dimensions 4" x 1-1/4".

Cat. No. 55 – Copper - 5.8 oz.

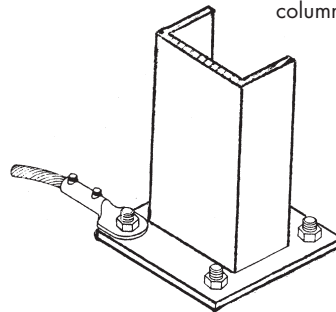
Cat. No. A55 – Aluminum - 2.1 oz.



Typical use of No. 55 on angle iron



Typical use of No. 55 on column anchor bolt



ROBBINS LIGHTNING, INC.

124 EAST SECOND STREET PHONE (660) 582-3156 FAX (660) 582-3039 P.O. BOX 440 MARYVILLE, MISSOURI 64468-0440