

CABLE SPLICERS

ALL ITEMS

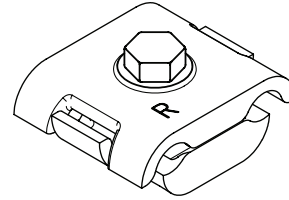
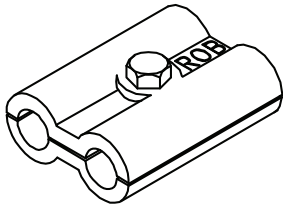


PARALLEL CABLE SPLICERS

Heavy cast bronze or aluminum cable splicer with one 1/4" bolt for tension on cable – for straight cable run splice or tee splice by bending cable. For main sized cables. Overall dimensions - 2" x 1-1/2".

Cat. No. 52AH – Copper - 7.4 oz.

Cat. No. A52AH – Aluminum - 3.5 oz.



Heavy cast bronze or aluminum cable splicer – one bolt tension – for any combination of main sized cables – 1-1/2" cable contact. Overall dimensions - 1-1/2" x 1-3/4"

Cat. No. 52S – Copper - 5 oz.

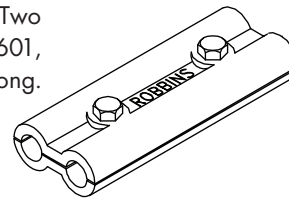
Cat. No. A52S – Aluminum - 2.1 oz.

Heavy cast bronze or aluminum cable splicer with two 1/4" bolts for tension on cable – for straight cable run splice or tee splice by bending cable. Two sizes available - No. 52 for main sized copper cables only through No. 601, 3" long - No. 52A and No. A52A for main sized aluminum cables 4" long. Overall dimensions - 4" x 1-1/2"

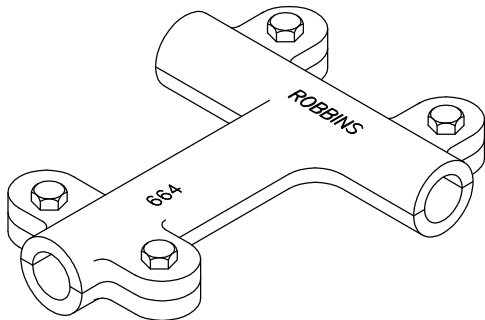
Cat. No. 52 – Copper - 8.6 oz.

Cat. No. 52A – Copper - 12.6 oz.

Cat. No. A52A – Aluminum - 4.2 oz.



TEE CABLE SPLICERS



Heavy cast bronze or aluminum cable splicer with two 1/4" bolts for tension on cable – 1-3/4" cable contact each direction – for main sized cables through No. 605. Overall dimensions - 1-3/4" x 2-3/8".

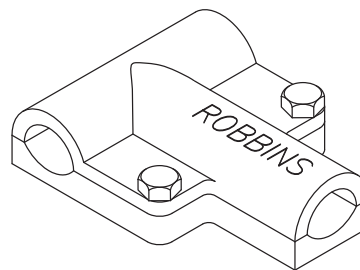
Cat. No. 664A – Copper - 6.2 oz.

Cat. No. A664A – Aluminum - 2.2 oz.

Heavy cast bronze or aluminum cable splicer with four 1/4" bolts for tension on cable – 3" cable contact each direction – for main sized cables through No. 605. Overall dimensions - 3" x 4-3/4".

Cat. No. 664 – Copper - 11 oz.

Cat. No. A664 – Aluminum - 4 oz.



ROBBINS LIGHTNING, INC.

124 EAST SECOND STREET PHONE (660) 582-3156 FAX (660) 582-3039 P.O. BOX 440 MARYVILLE, MISSOURI 64468-0440

