

EMBEDDED CABLE OUTLET



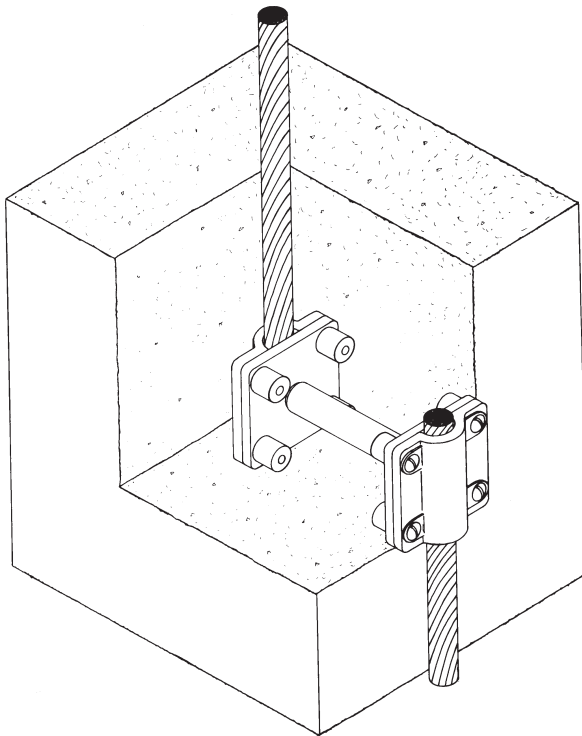
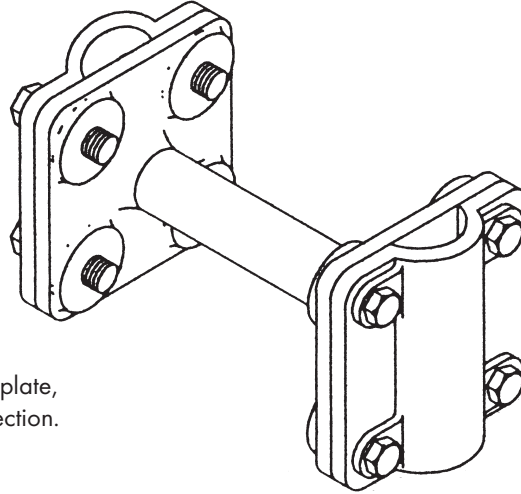
Heavy cast bronze cable outlet for use in poured concrete or pre-cast concrete columns or walls – 2-1/4" contact surface for cable – 3" distance between face of plates – four 1/4" bolts for tension on main sized cables through No. 605. Overall dimensions - 5" x 2-1/4" x 2-1/4".

Not recommended for walls less than 6" thick.

Cat. No. 641 – Copper - 1 lb. - 11 oz.

Cat. No. A641 * – Aluminum - 9 oz.

*When used with aluminum exposed cable, this part is provided with one aluminum cover plate, stainless steel bolts and shim for bimetal connection.



Typical use in
concrete column

ROBBINS LIGHTNING, INC.

124 EAST SECOND STREET PHONE (660) 582-3156 FAX (660) 582-3039 P.O. BOX 440 MARYVILLE, MISSOURI 64468-0440

