

CABLE DISCONNECTOR



Heavy cast bronze or aluminum cable disconnecter with separate bolt tension cable clamps – 1-1/2" cable contact surface. For use to test ground resistance or for use on movable equipment. For cables No. 1 through No. 605. Overall dimensions - 2" x 3-3/4".

No. 694 and No. A694 do not have anchor bolts.

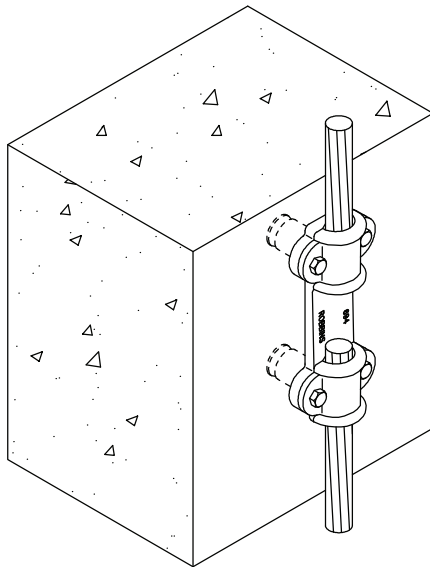
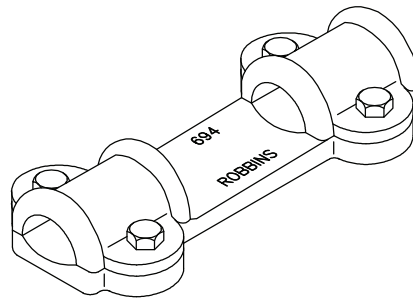
No. 695 and No. A695 are furnished with two 1/4" flat head bolts and two 1/4" expansion anchors.

Cat. No. 694 – Copper - 10.8 oz.

Cat. No. A694 – Aluminum - 3.7 oz.

Cat. No. 695 – Copper - 12.4 oz.

Cat. No. A695 – Aluminum - 5.3 oz.



Typical use on masonry wall



ROBBINS LIGHTNING, INC.

124 EAST SECOND STREET PHONE (660) 582-3156 FAX (660) 582-3039 P.O. BOX 440 MARYVILLE, MISSOURI 64468-0440