

GROUND PLATES



COPPER FLAT PLATES

Copper ground plates are used for installation in place of ground rods where shallow topsoil is encountered -for soil depth of 1 ft. 6 in. use No. 88X (two square feet) plate -for shallow soil depth less than 1 ft. 6 in. place ground plate as deep as possible using No. 88A (eight square feet) plate -where no topsoil is present, run conductor on bedrock for 12 feet (attaching to bedrock a maximum of 3 feet spacing) and terminate in ground plate -for main sized cables through No. 605.

Copper

Cat. No. 88X - 12" x 12" - 1 lb. - 15 oz.

Cat. No. 88 - 12" x 24" - 3 lbs. - 7 oz.

Cat. No. 88A - 24" x 24" - 6 lbs. - 5 oz.

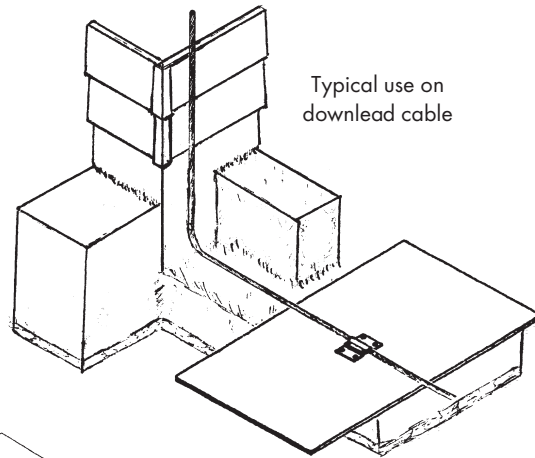
Cat. No. 88B - 36" x 36" - 13 lbs. - 13 oz.

88X = 2ft²

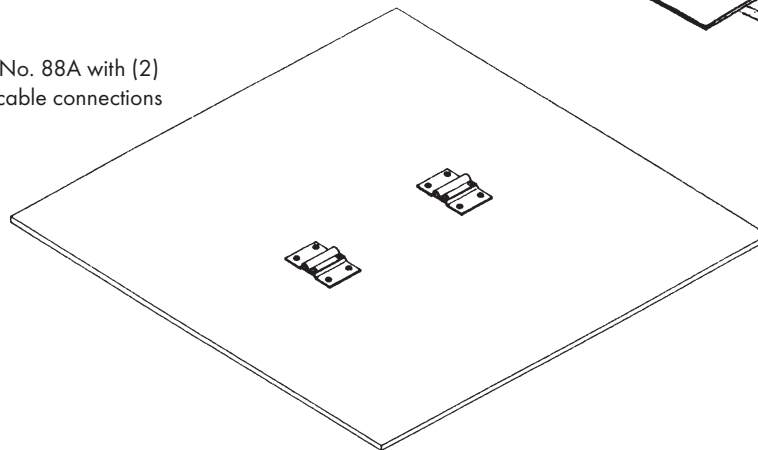
88 = 4ft²

88A = 8ft²

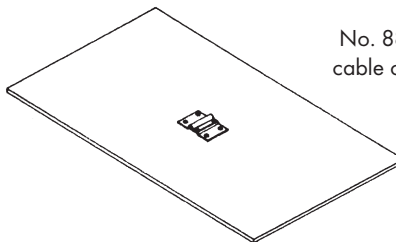
88B = 18ft²



No. 88A with (2)
cable connections



No. 88 with (1)
cable connection



ROBBINS LIGHTNING, INC.

124 EAST SECOND STREET PHONE (660) 582-3156 FAX (660) 582-3039 P.O. BOX 440 MARYVILLE, MISSOURI 64468-0440