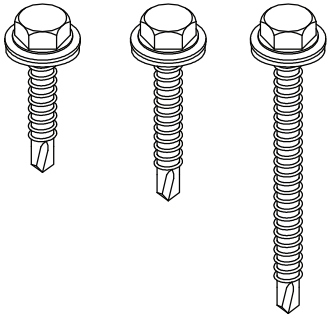


FASTENERS

METAL ROOF NAIL, SCREWS AND SEALING WASHER



Self-tapping tek screws, hex washer head with neobond weather seal – for use on metal roofing and siding – 410 stainless steel.

Cat. No. 83ST-1 – Size #10, 1" long - 0.16 oz.

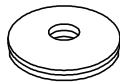
Cat. No. 83ST-2 – Size #10, 1-1/2" long - 0.18 oz.

Cat. No. 83ST-3 – Size #10, 2-1/2" long - 0.26 oz.



Stainless steel ring shank nail with metal washer and attached neobond weather seal for use with metal roofing and siding on wood structure.

Cat. No. 83 – Size #10, 2" long - 0.123 oz.



Sealing washer assembly consisting of cone type stainless steel washer with attached neobond sealing washer – for nails to 1/8" diameter.

Cat. No. 210 - 0.06 oz.



Self-tapping screw with hex washer head, Size #8.

Cat. No. 83NP-4 – Stainless Steel, 1" long - 0.11 oz.

Cat. No. 83NP-3 – Stainless Steel, 3/4" long, Type A - 0.08 oz.

Cat. No. 83NP-2 – Zinc Plated, 1/2" long - 0.08 oz.

ADHESIVE COMPOUND

NOTE: Before using any type of adhesive compound, it is important to consult the roof manufacturer to determine compatibility with roofing material. Improper use may affect roof warranty.

Cat. No. 690M-1 - 1 lb. - 1 oz.

Structural adhesive/sealant manufactured by ChemLink. M-1 is a moisture cure product designed for use in difficult bonding and sealing applications. 1 Tube - Cont. Net 300 ml (10.1 Fl. Oz.). One tube is normally adequate for approximately 10 bases or 25 cable holders. Please specify color when ordering. Information and MSDS sheets are included at the beginning of this catalog. Colors: white, gray, black, - lime stone upon request.

ROBBINS LIGHTNING, INC.

124 EAST SECOND STREET PHONE (660) 582-3156 FAX (660) 582-3039 P.O. BOX 440 MARYVILLE, MISSOURI 64468-0440

