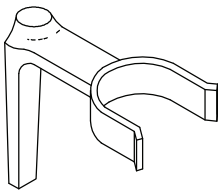


SPECIAL PURPOSE FASTENERS

ALL ITEMS



FOR CLASS I
STRUCTURES
ONLY



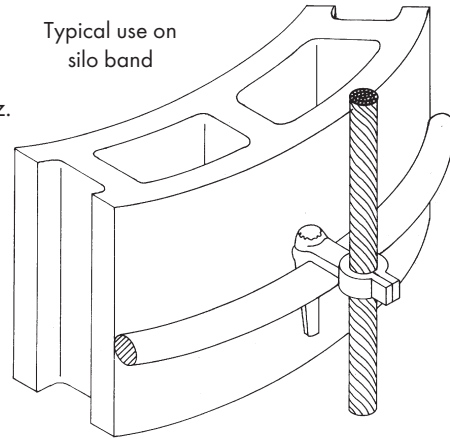
SILO BAND DRIVE FASTENER

Cast bronze or aluminum drive fastener for use on steel bands of silos – one piece malleable construction for compression holding of cable – for main sized cables through No. 605.

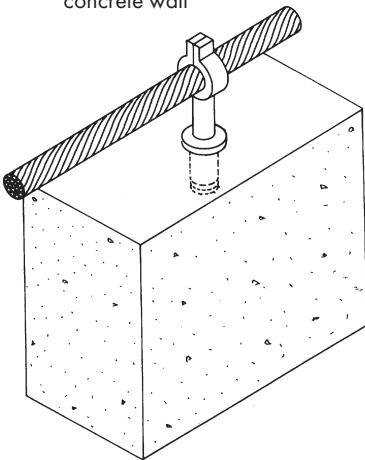
Cat. No. 150 – Copper - 0.16 oz.

Cat. No. A150 – Aluminum - 0.48 oz.

Typical use on
silo band



Typical use on
concrete wall

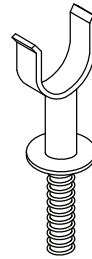


STAND-OFF CABLE HOLDER

Cast bronze or aluminum stand-off cable holder for use with No. 86 expansion anchor in masonry or with No. A80E-4 nut on metal surface – cable located 1" off surface – pinch type closure – for main sized cable through No. 604. Overall dimensions - 2-1/2" x 1".

Cat. No. 73 – Copper - 1.2 oz.

Cat. No. A73 – Aluminum - 0.16 oz.

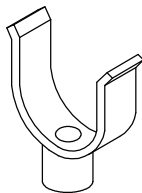


PINCH TYPE CABLE HOLDER

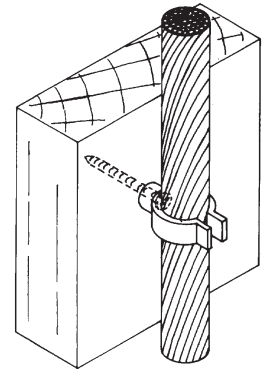
Cast bronze or aluminum stand-off cable holder for use with 3/16" diameter nail, wood screw or metal screw – for main sized cables through No. 605.

Cat. No. 81A – Copper - 0.64 oz.

Cat. No. A81A – Aluminum - 0.01 oz.



Typical use on wall



ROBBINS LIGHTNING, INC.

124 EAST SECOND STREET PHONE (660) 582-3156 FAX (660) 582-3039 P.O. BOX 440 MARYVILLE, MISSOURI 64468-0440

-112-

