

CABLE FASTENERS

ALL ITEMS



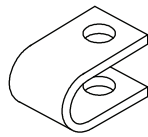
LOOP FASTENER (SMALL)

Strap copper or aluminum loop type cable fastener requiring one nail or screw – 1/2" wide, copper 0.032" thick, aluminum 0.051" thick – for main and secondary cables 1/4" through 1/2" diameter – for nail or screw to No. 10 (3/16") diameter.

Cat. No. 72A – Copper - 0.26 oz.

Cat. No. A72A – Aluminum - 0.1 oz.

Cat. No. 72AT – Tinned Copper - 0.26 oz.

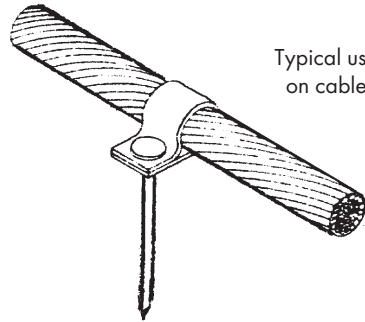


LOOP FASTENER (LARGE)

Strap copper or aluminum loop type cable fastener requiring one nail or screw – 5/8" wide, copper 0.032" thick, aluminum 0.051" thick – for cables 3/8" through 5/8" diameter – for screw or bolt to 1/4" diameter. For main and secondary cables and wires. Add "X" after the part number to indicate use with 4/0 AWG cables.

Cat. No. 72 – Copper - 0.29 oz.

Cat. No. A72 – Aluminum - 0.15 oz.



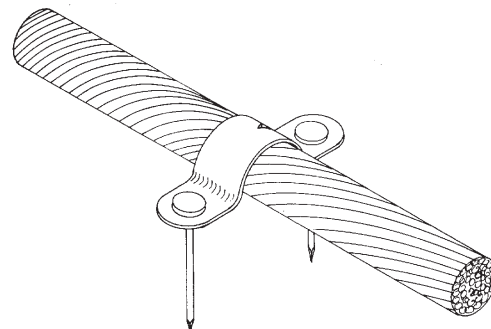
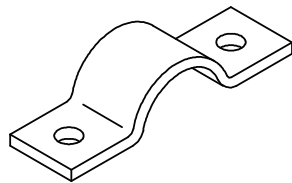
STRAP FASTENER

Strap copper or aluminum two-hole cable fastener – copper strap 0.032" thick, aluminum strap 0.051" thick. Strap 1/2" wide for cables 1/4" through 1/2" diameter – for nail or screw to No. 10 (3/16") diameter. For main sized cables.

Cat. No. 72C – Copper - 0.26 oz.

Cat. No. A72C – Aluminum - 0.1 oz.

Cat. No. 72CT – Tinned Copper - 0.26 oz.



ROBBINS LIGHTNING, INC.

124 EAST SECOND STREET PHONE (660) 582-3156 FAX (660) 582-3039 P.O. BOX 440 MARYVILLE, MISSOURI 64468-0440