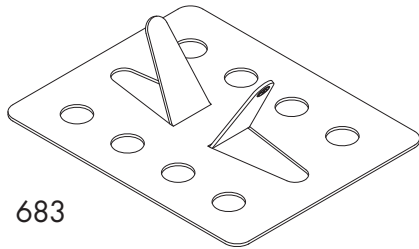
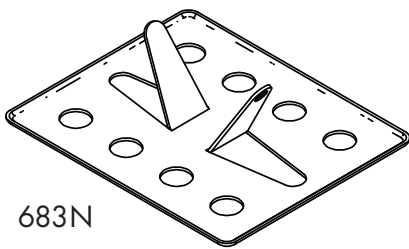


ADHESIVE CABLE HOLDERS

ALL ITEMS



683



683N

Adhesive cable holder of stamped and formed copper or aluminum. Should be placed on flat or gently sloping roof surface in a bed of hot pitch or approved adhesive. For main and secondary cables and wires. Overall dimensions - 3" x 2-1/2". Adhesive contact area - 7.5 in².

Cat. No. 683 – Copper - 1 oz.

Cat. No. A683 – Aluminum - 0.4 oz.

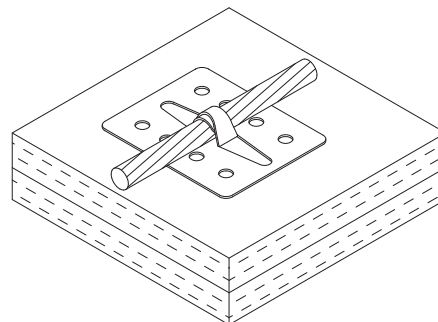
Cat. No. 683N – Copper - 1 oz.

Cat. No. A683N – Aluminum - 0.4 oz.

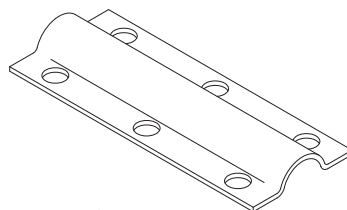
Adhesive cable holder of stamped and formed copper or aluminum. Should be placed on flat or gently sloping roof surface in a bed of hot pitch or approved adhesive. For main and secondary cables and wires. Overall dimensions - 1-3/4" x 4". Adhesive contact area - 7 in².

Cat. No. 683LARGE – Copper - 1.5 oz.

Cat. No. A683LARGE – Aluminum - 0.6 oz.



Typical use on
built-up roof



683LARGE

ROBBINS LIGHTNING, INC.

124 EAST SECOND STREET PHONE (660) 582-3156 FAX (660) 582-3039 P.O. BOX 440 MARYVILLE, MISSOURI 64468-0440

