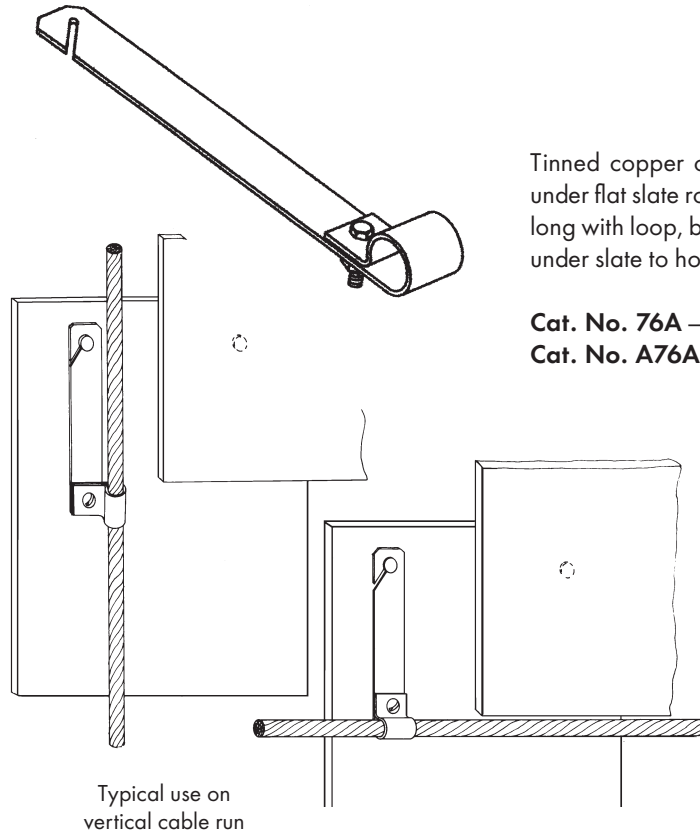


## SLATE ROOF CABLE HOLDER



Tinned copper or aluminum strap cable holder for use under flat slate roof sections – made of 1" wide strap 12" long with loop, bolt and nut to secure cable – simply slips under slate to hook on existing nail – for all cables.

**Cat. No. 76A** – Copper - 4.5 oz.

**Cat. No. A76A** – Aluminum - 1.6 oz.



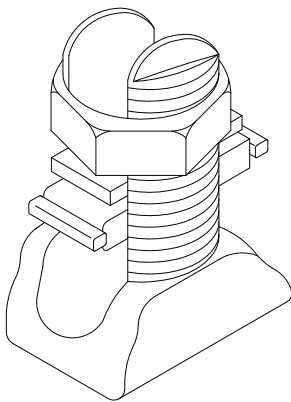
Typical use on horizontal cable

Typical use on vertical cable run

## SPLIT BOLT CONNECTORS

**Used For Fence Grounding or Wire Mesh**

High strength bronze split bolt connectors, completely tin plated for use with copper, aluminum or steel wires – spacer allows separation of dissimilar metals – contact paste recommended when used with aluminum wire – for use in attaching home service protectors, grounding fence wire fabric and other grounding work – not recommended for use as splice for Lightning Protection system circuits.



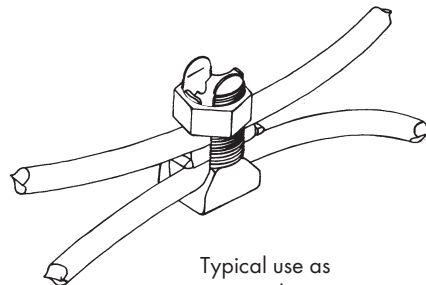
### Copper

**Cat. No. 124A** – Maximum wire diameter 0.217" - 1.4 oz.

**Cat. No. 124B** – Maximum wire diameter 0.271" - 1.8 oz.

**Cat. No. 124C** – Maximum wire diameter 0.385" - 3 oz.

**Cat. No. 124D** – Maximum wire diameter 0.443" - 4.8 oz.



Typical use as wire splicer

# ROBBINS LIGHTNING, INC.

124 EAST SECOND STREET PHONE (660) 582-3156 FAX (660) 582-3039 P.O. BOX 440 MARYVILLE, MISSOURI 64468-0440

-101-

