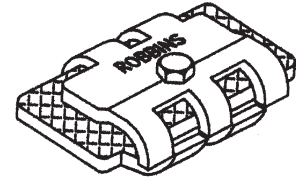


## METAL BONDING CLAMP AND CABLE HOLDER

Heavy cast bronze or aluminum clamp for bonding to metal surface or for use as cable holder to edge of column or beam – bolt tension on surface and cable – universal capacity from secondary bonding wire through 3/4" cable and flat surface to 5/8" thick – two sizes available – No. 68X and No. A68X – 2" long with 1-1/2 square inches of surface contact or No. 68X-3 and No. A68X-3 with 3 square inches of surface contact. Overall dimensions - 68X: 2" x 2-1/4" - 68X-3: 4" x 2-1/4".



**Cat. No. 68X** – Copper - 5 oz.

**Cat. No. A68X** – Aluminum - 1.8 oz.



(for cable holder only)

**Cat. No. 68X-3** – Copper - 7.0 oz.

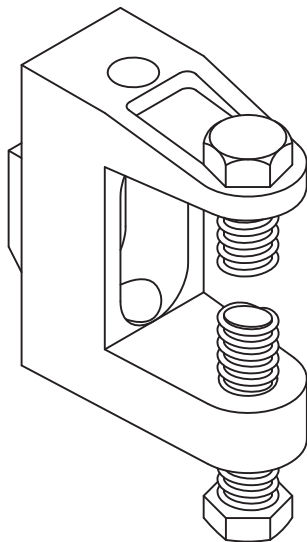
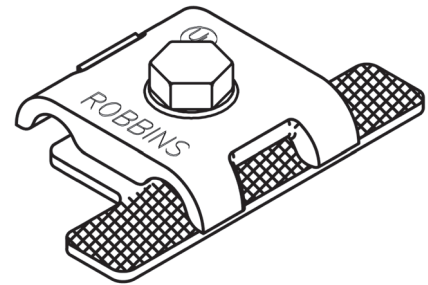
**Cat. No. A68X-3** – Aluminum - 3.0 oz.



(for bonding on Class 1 structures only)

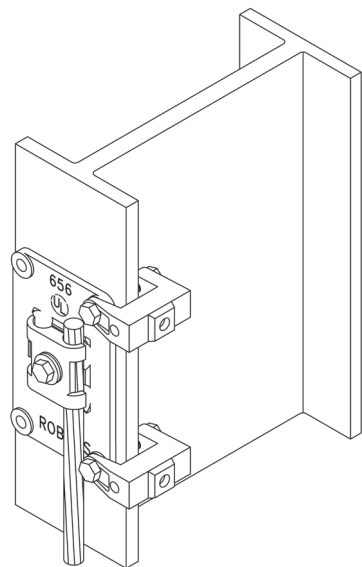
## PLATE HOLDERS

Cast iron "C" clamp for holding metal bonding plate to metal structural member – opens 11/16" for heavy column section or closes to 3/16" for thin metal sections – throat depth 15/16" – screw sets firm for permanent installation. Overall dimensions - 1-1/2" x 1-3/8".



**Cat. No. 156BM** - 4 oz.

Typical use to hold  
bonding plate.



# ROBBINS LIGHTNING, INC.

124 EAST SECOND STREET PHONE (660) 582-3156 FAX (660) 582-3039 P.O. BOX 440 MARYVILLE, MISSOURI 64468-0440