

REBAR OR PIPE BONDING CLAMP

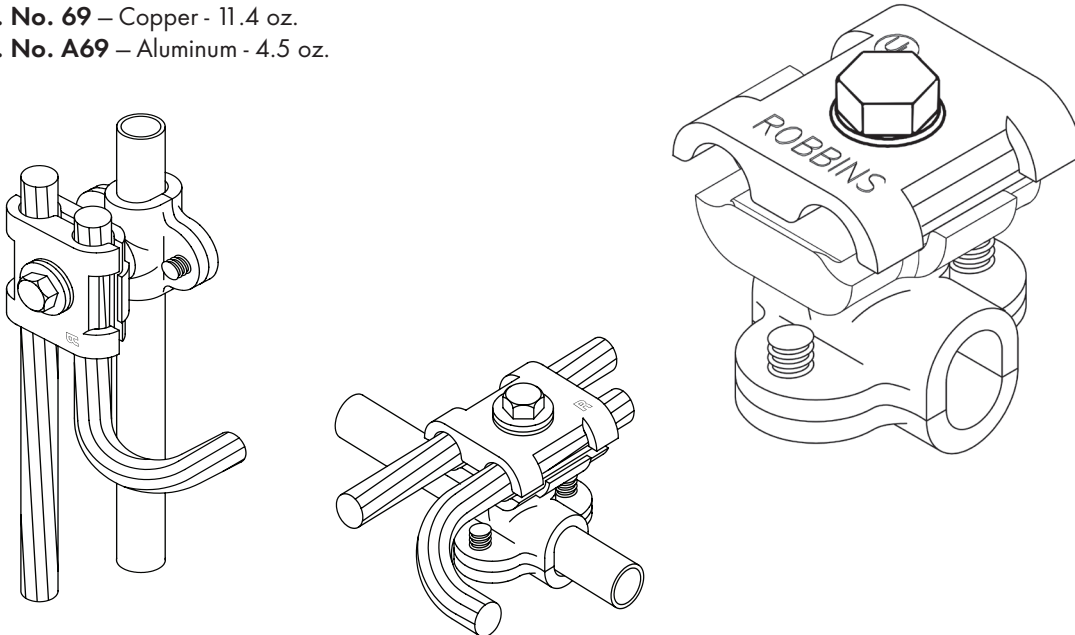
ALL ITEMS



Heavy cast bronze or aluminum pipe or rebar bonding clamp with 1/4" bolt tension - 1-1/2" of cable contact length - 1-1/2" contact along axis of pipe or rebar with approximately 1.8 sq. in. contact area. For pipes and rebar with approximately 1/2" through 1-1/4" outside diameter. For all main sized cables through No. 605. Overall dimensions - 2 -1/4" x 1-3/8" x 1-1/2".

Cat. No. 69 – Copper - 11.4 oz.

Cat. No. A69 – Aluminum - 4.5 oz.



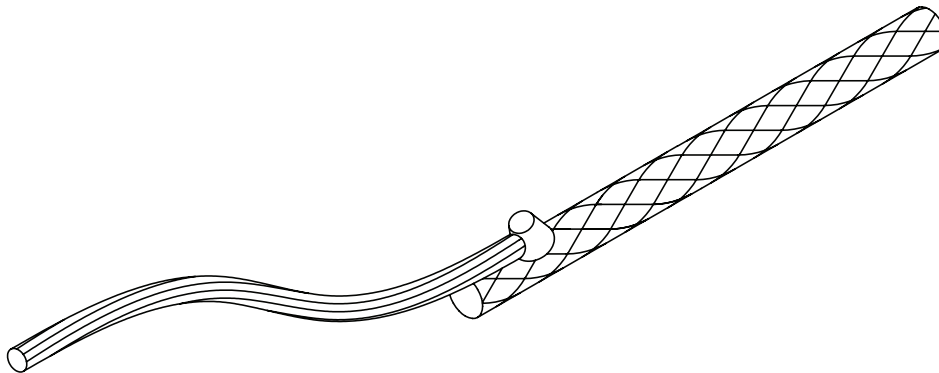
PRE - ASSEMBLED REBAR BOND

Pre-assembled copper cable pigtail exothermically welded to an 18" long #4 rebar. Standard copper cable length provided is 36". Special lengths available upon request.

Cat. No. RB-1 – #1 Copper cable (32 Str., X 17 Ga. - 2 AWG.) - 12.2 oz.

Cat. No. RB-604 – #604 Copper cable (28 Str., X 14 Ga.) - 1 lb. - 12 oz.

Cat. No. RB-605 – #605 Copper cable (37 Str., - 4/0 AWG.) - 2 lbs. - 11 oz.



ROBBINS LIGHTNING, INC.

124 EAST SECOND STREET PHONE (660) 582-3156 FAX (660) 582-3039 P.O. BOX 440 MARYVILLE, MISSOURI 64468-0440

