

PIPE BONDING STRAP



Adjustable strap-type pipe bonding assembly – consists of tinned copper or bare aluminum strap 1" wide – copper 0.064" thick; aluminum 0.080" thick – with No. 655 or No. A655 lug for secondary bonding with wires and miniature cables through 1/4" diameter – 1/4" x 1" take-up bolt with nut. Standard sizes shown – other sizes available on request. For secondary cables and wires up to 1/4" in diameter. Shipped flat, to be formed at the job site for exact pipe size.

Copper

Cat. No. 677S-4 – for 2" through 4" pipe - 10.8 oz.

Cat. No. 677S-6 – for 4-1/2" through 6" pipe - 12.4 oz.

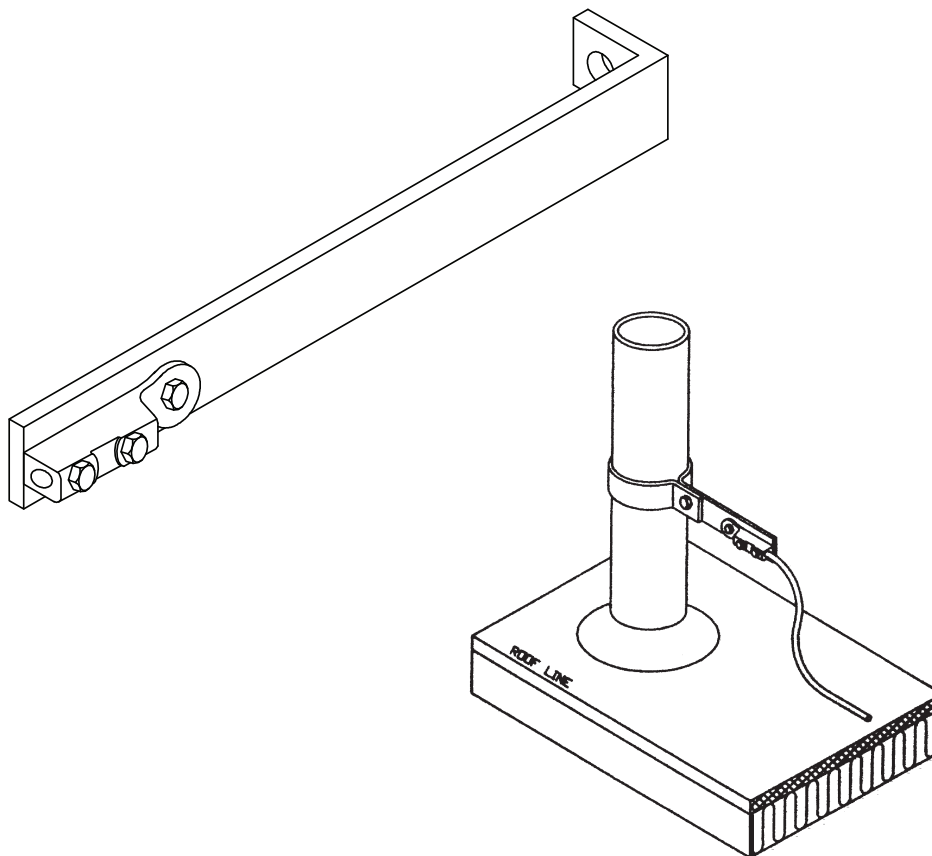
Cat. No. 677S-8 – for 6-1/2" through 8" pipe - 15 oz.

Aluminum

Cat. No. A677S-4 – for 2" through 4" pipe - 5.3 oz.

Cat. No. A677S-6 – for 4-1/2" through 6" pipe - 6.2 oz.

Cat. No. A677S-8 – for 6-1/2" through 8" pipe - 7 oz.



Typical use on
vertical pipe



ROBBINS LIGHTNING, INC.

124 EAST SECOND STREET PHONE (660) 582-3156 FAX (660) 582-3039 P.O. BOX 440 MARYVILLE, MISSOURI 64468-0440