

## PIPE BONDING STRAP



Adjustable strap-type pipe bonding assembly – consists of tinned copper or bare aluminum strap 1" wide – copper 0.064" thick; aluminum 0.080" thick – with No. 55B or No. A55B lug securely bolted to strap – for main sized cables through No. 605 – 1/4" x 1" take-up bolt with nut. Standard sizes shown – other sizes available on request. For main sized cables. Shipped flat, to be formed at the jobsite for exact pipe size.

### Copper

**Cat. No. 677-4** – for 2" through 4" pipe - 1 lb.

**Cat. No. 677-6** – for 4-1/2" through 6" pipe - 1lb. - 2 oz.

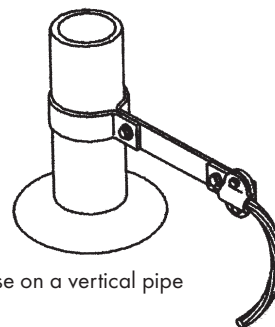
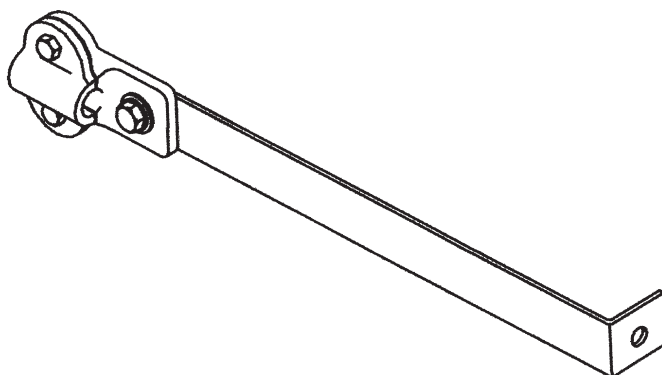
**Cat. No. 677-8** – for 6-1/2" through 8" pipe - 1lb. - 4 oz.

### Aluminum

**Cat. No. A677-4** – for 2" through 4" pipe - 7 oz.

**Cat. No. A677-6** – for 4-1/2" through 6" pipe - 7.8 oz.

**Cat. No. A677-8** – for 6-1/2" through 8" pipe - 9 oz.



Typical use on a vertical pipe

# ROBBINS LIGHTNING, INC.

124 EAST SECOND STREET PHONE (660) 582-3156 FAX (660) 582-3039 P.O. BOX 440 MARYVILLE, MISSOURI 64468-0440

