

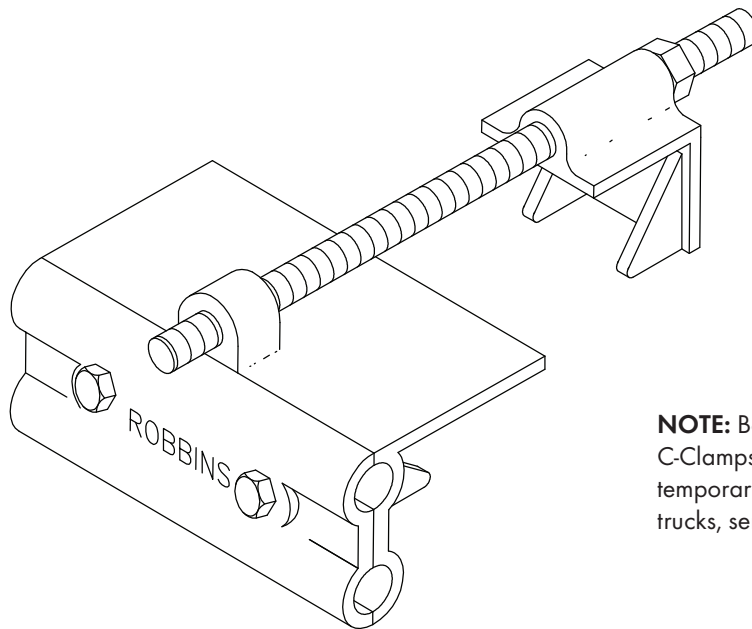
TEMPORARY COLUMN AND BEAM BONDING CLAMP

Heavy cast bronze or aluminum column or beam bonding clamp – no holes required in iron – over 8 square inches of pressure contact surface – four inch cable contact for main sized cables through No. 605 – 3/8" threaded brass or stainless steel take-up rod – end grips for flange thickness to 5/8".

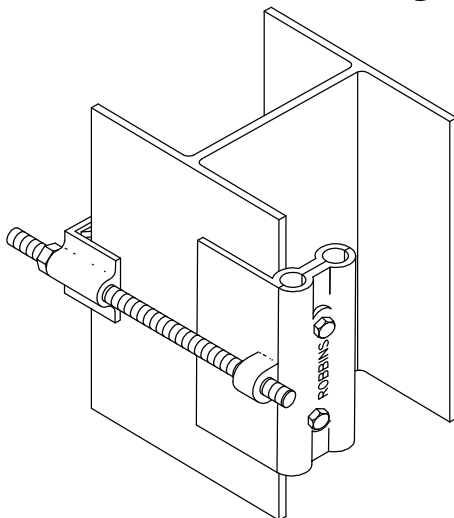
Standard span 10", longer or shorter upon request.

Cat. No. 660 – Copper - 2 lbs. - 6 oz.

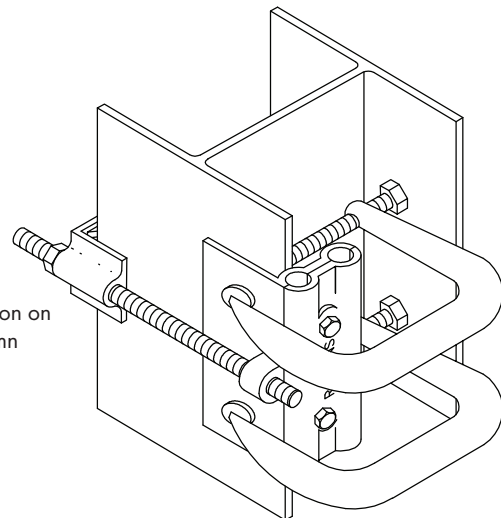
Cat. No. A660 – Aluminum - 11 oz.



NOTE: Bonding plate is used without C-Clamps in situations where only a temporary bond is required (e.g. fuel trucks, semi's, job trailers).



Typical application on vertical column



ROBBINS LIGHTNING, INC.

124 EAST SECOND STREET PHONE (660) 582-3156 FAX (660) 582-3039 P.O. BOX 440 MARYVILLE, MISSOURI 64468-0440

