

BONDING LUG



FOR CLASS I
STRUCTURES
ONLY

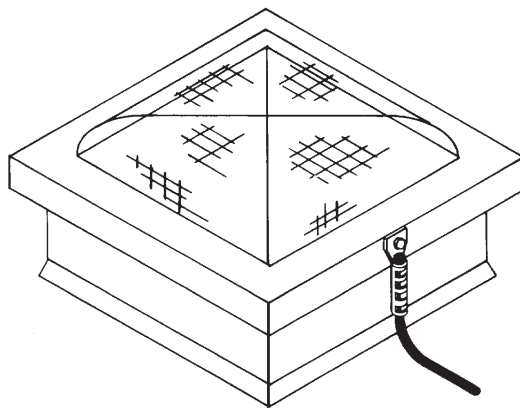
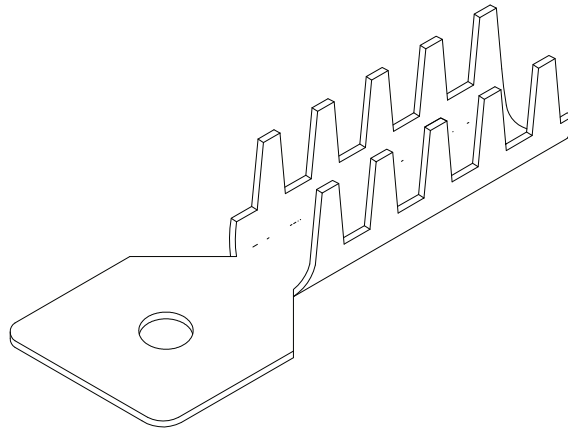
BONDING LUG – LIGHT DUTY FOR MAIN CABLES

Stamped copper, tinned copper or aluminum bonding lug for main size cable to flat metal surface – over 1 square inch contact surface – compression type cable holder with 2-1/2" contact length – copper 0.064" thick, aluminum 0.100" thick – 1/4" bolt hole in lug end. Overall dimensions - 3-3/4" x 1-1/4".

Cat. No. 85 – Copper - 1.6 oz.

Cat. No. 85T – Tinned Copper - 1.6 oz.

Cat. No. A85 – Aluminum - 0.8 oz.



Typical use on
metal skylight frame



ROBBINS LIGHTNING, INC.

124 EAST SECOND STREET PHONE (660) 582-3156 FAX (660) 582-3039 P.O. BOX 440 MARYVILLE, MISSOURI 64468-0440