

PIPE BONDING CLAMP



Heavy cast bronze or aluminum pipe bonding clamp with 1/4" bolt tension – 1-1/2" cable contact along axis of pipe. Available in three sizes for a range of pipe sizes. Bronze clamps may be cadmium plated, on request, to prevent corrosion when used on water pipes. Add "L" to part numbers shown. For use with main sized cables. Overall dimensions - 63A 2-1/2" x 1-3/4" - 63B 4-1/4" x 1-1/2" - 63C 5-1/2" x 1-1/2".

Copper

Cat. No. 63A – For 3/4" to 1-1/2" OD pipe - 9 oz.

Cat. No. 63B – For 1-3/4" to 2-1/2" OD pipe - 1 lb.

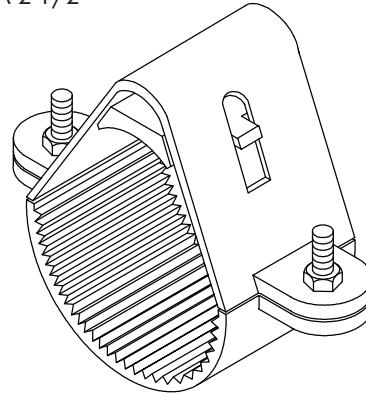
Cat. No. 63C – For 2-1/2" to 4-1/2" OD pipe - 1 lb. - 2 oz.

Aluminum

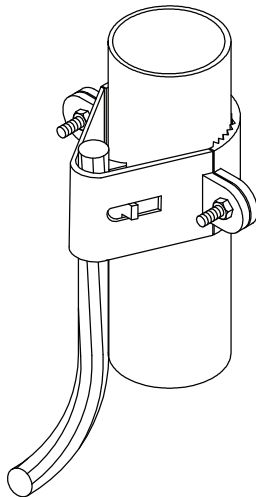
Cat. No. A63A – For 3/4" to 1-1/2" OD pipe - 3.4 oz.

Cat. No. A63B – For 1-3/4" to 2-1/2" OD pipe - 6.1 oz.

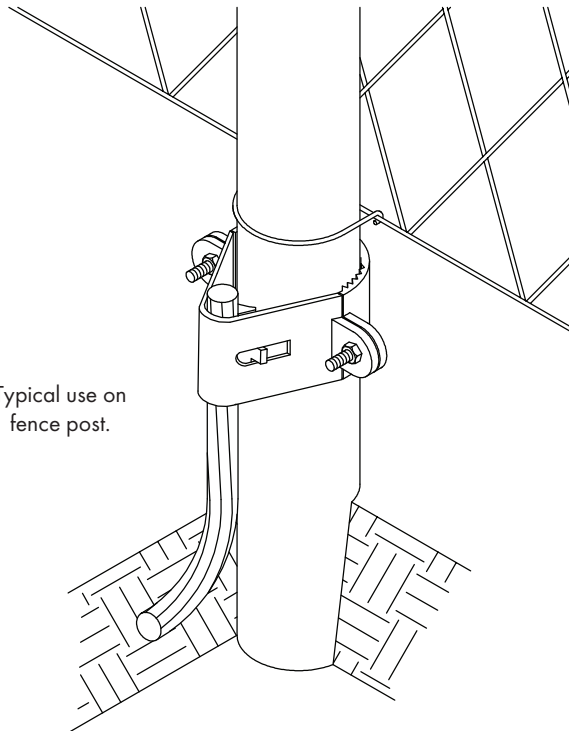
Cat. No. A63C – For 2-1/2" to 4-1/2" OD pipe - 6.6 oz.



Typical use on water pipe or TV mast.



Typical use on fence post.



ROBBINS LIGHTNING, INC.

124 EAST SECOND STREET PHONE (660) 582-3156 FAX (660) 582-3039 P.O. BOX 440 MARYVILLE, MISSOURI 64468-0440

