

BONDING CLAMPS

GUTTER BONDING CLAMP

Stamped copper, tinned copper or aluminum gutter bonding clamp for round or square edge metal gutters – compression type contact 2" long on gutter and 1-1/2" long on cable – copper 0.064" thick, aluminum 0.100" thick. For main sized cable. Overall dimensions - 2-1/2" x 2".

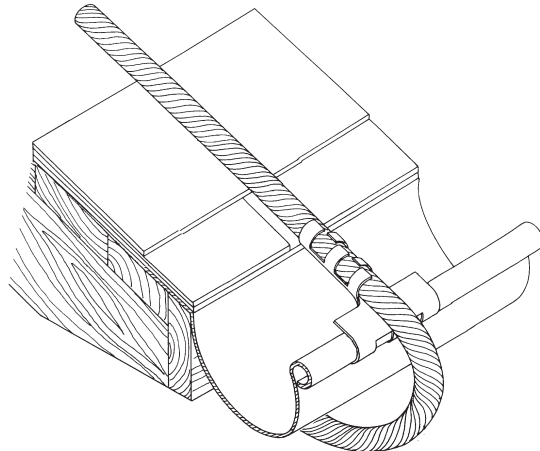
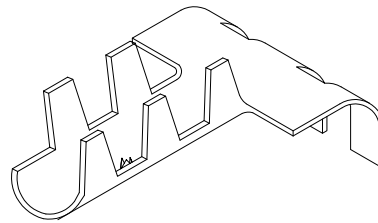
Cat. No. 87 – Copper - 1.8 oz.

Cat. No. 87T – Tinned Copper - 1.8 oz.

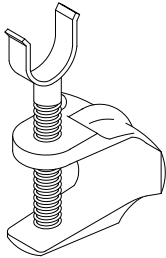
Cat. No. A87 – Aluminum - 0.8 oz.



FOR CLASS I
STRUCTURES
ONLY



Typical use
on gutter



GUTTER BONDING CLAMP OR CABLE HOLDER

Cast bronze or aluminum clamp for use in bonding metal gutters or supporting cable on metal column or rib – may be used on round or square edge gutters and column edge to 1/2" thick – compression type cable holder for main sized cables through No. 605 – 1" contact length on metal. Overall dimensions - 1-1/4" x 2" x 1-1/2".

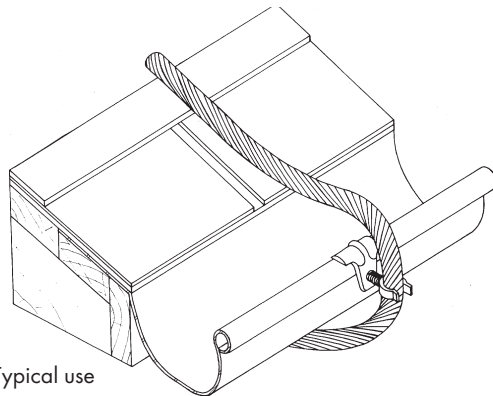
Cat. No. 77 – Copper - 3.7 oz.

Cat. No. 77L – Lead covered - 3.8 oz.

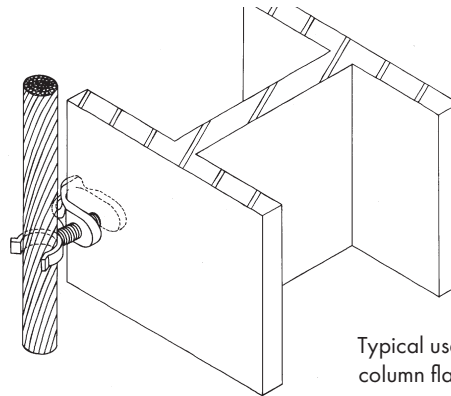
Cat. No. A77 – Aluminum - 1 oz.



(when used as cable holder only)



Typical use
on gutter



Typical use on
column flange

ROBBINS LIGHTNING, INC.

124 EAST SECOND STREET PHONE (660) 582-3156 FAX (660) 582-3039 P.O. BOX 440 MARYVILLE, MISSOURI 64468-0440

