

HEAVY DUTY STACK CABLES

Standard of the Industry for Commercial Stacks

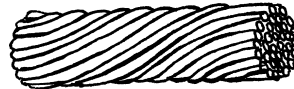
Cat. No. 401 – 28 strands of 14 gauge bare copper wire in rope lay configuration, 7/16" diameter, 121,900 circular mil cross section – weight of copper 384 pounds per 1,000'.

Available on 250' and 500' spools.



Cat. No. 403 – 37 strands of 0.0756" bare copper wire in concentric configuration – 1/2" diameter, 211,600 circular mil cross section (#4/0 AWG) – weight of copper 653 pounds per 1,000'.

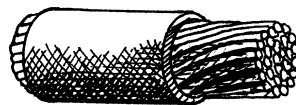
Available on 250' and 500' spools.



Lead Covered Copper Cable for Stack Use

Cat. No. 604L – 28 strands of 14 gauge (.066) bare copper wire in rope lay configuration, 1/8" lead jacket diameter, 121,900 circular mil cross section. Weight of copper – 960 pounds per 1,000'.

Available in 25' sections.



ROBBINS LIGHTNING, INC.

124 EAST SECOND STREET PHONE (660) 582-3156 FAX (660) 582-3039 P.O. BOX 440 MARYVILLE, MISSOURI 64468-0440



HEAVY DUTY STACK POINTS

ALL ITEMS



Lead Covered Copper

Heavy duty stack points of solid copper rod with 1/16" lead jacket to prevent corrosion from stack fumes. Available in copper rod diameters of 1/2", 5/8" – lengths 18" to 72" standard. All points have standard size 1/2" NC or 5/8" NC threads.

Cat. No. 405-4 – 1/2" diameter x 18" long

Cat. No. 405-5 – 5/8" diameter x 18" long

Cat. No. 406-4 – 1/2" diameter x 24" long

Cat. No. 406-5 – 5/8" diameter x 24" long

Cat. No. 407-4 – 1/2" diameter x 30" long

Cat. No. 407-5 – 5/8" diameter x 30" long

Cat. No. 408-4 – 1/2" diameter x 36" long

Cat. No. 408-5 – 5/8" diameter x 36" long

Cat. No. 409-4 – 1/2" diameter x 42" long

Cat. No. 409-5 – 5/8" diameter x 42" long

Cat. No. 410-4 – 1/2" diameter x 48" long

Cat. No. 410-5 – 5/8" diameter x 48" long

Cat. No. 411-4 – 1/2" diameter x 54" long

Cat. No. 411-5 – 5/8" diameter x 54" long

Cat. No. 412-4 – 1/2" diameter x 60" long

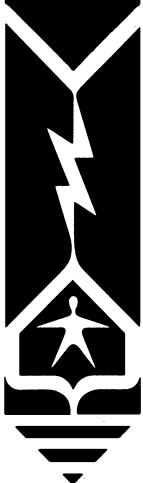
Cat. No. 412-5 – 5/8" diameter x 60" long

Cat. No. 413-4 – 1/2" diameter x 66" long

Cat. No. 413-5 – 5/8" diameter x 66" long

Cat. No. 414-4 – 1/2" diameter x 72" long

Cat. No. 414-5 – 5/8" diameter x 72" long



ROBBINS LIGHTNING, INC.

124 EAST SECOND STREET PHONE (660) 582-3156 FAX (660) 582-3039 P.O. BOX 440 MARYVILLE, MISSOURI 64468-0440

HEAVY DUTY STACK POINTS



STAINLESS STEEL

Heavy duty stack points of solid stainless steel rod with tapered tip – alloy of steel to prevent corrosion from stack fumes. Available in rod diameters of 1/2", 5/8" or 3/4" – lengths 18" to 72" standard. All points have standard 1/2" NC or 5/8" NC threads.

Cat. No. 455-4 – 1/2" diameter, 18" long

Cat. No. 455-5 – 5/8" diameter, 18" long

Cat. No. 455-6 – 3/4" diameter, 18" long

Cat. No. 456-4 – 1/2" diameter, 24" long

Cat. No. 456-5 – 5/8" diameter, 24" long

Cat. No. 456-6 – 3/4" diameter, 24" long

Cat. No. 457-4 – 1/2" diameter, 30" long

Cat. No. 457-5 – 5/8" diameter, 30" long

Cat. No. 457-6 – 3/4" diameter, 30" long

Cat. No. 458-4 – 1/2" diameter, 36" long

Cat. No. 458-5 – 5/8" diameter, 36" long

Cat. No. 458-6 – 3/4" diameter, 36" long

Cat. No. 459-4 – 1/2" diameter, 42" long

Cat. No. 459-5 – 5/8" diameter, 42" long

Cat. No. 459-6 – 3/4" diameter, 42" long

Cat. No. 460-4 – 1/2" diameter, 48" long

Cat. No. 460-5 – 5/8" diameter, 48" long

Cat. No. 460-6 – 3/4" diameter, 48" long

Cat. No. 461-4 – 1/2" diameter, 54" long

Cat. No. 461-5 – 5/8" diameter, 54" long

Cat. No. 461-6 – 3/4" diameter, 54" long

Cat. No. 462-4 – 1/2" diameter, 60" long

Cat. No. 462-5 – 5/8" diameter, 60" long

Cat. No. 462-6 – 3/4" diameter, 60" long

Cat. No. 463-4 – 1/2" diameter, 66" long

Cat. No. 463-5 – 5/8" diameter, 66" long

Cat. No. 463-6 – 3/4" diameter, 66" long

Cat. No. 464-4 – 1/2" diameter, 72" long

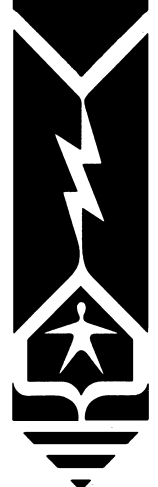
Cat. No. 464-5 – 5/8" diameter, 72" long

Cat. No. 464-6 – 3/4" diameter, 72" long



ROBBINS LIGHTNING, INC.

124 EAST SECOND STREET PHONE (660) 582-3156 FAX (660) 582-3039 P.O. BOX 440 MARYVILLE, MISSOURI 64468-0440



STACK POINT BASE — SIDE MOUNT



Heavy duty cast stainless steel point base for mounting on vertical surface — threaded end to receive 1/2" or 5/8" diameter points — may be used as two-way, three-way or four-way connection — available in series No. 420B for use in masonry concealed, or in series No. 420 or No. 420A for exposed installation — all screws stainless steel to resist corrosion — series No. 420 furnished complete with 3/8" or 1/2" screw and lead expansion anchor in back plate — for metal stack, series No. 420A furnished with 3/8" or 1/2" screw, two nuts and two washers — for use with cables No. 401, No. 402, No. 403 and No. 404.

Cat. No. 420-44S — for 1/2" point, 1/2" anchor

Cat. No. 420-45S — for 5/8" point, 1/2" anchor

Cat. No. 420-34S — for 1/2" point, 3/8" anchor

Cat. No. 420-35S — for 5/8" point, 3/8" anchor

Cat. No. 420A-44S — for 1/2" point, for metal 1/2"

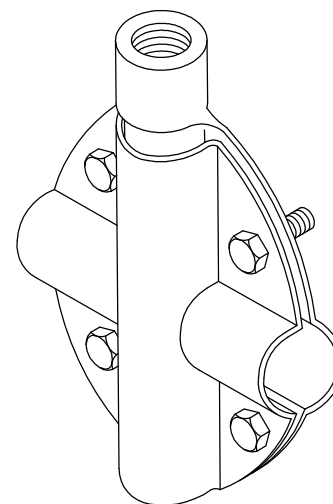
Cat. No. 420A-45S — for 5/8" point, for metal 1/2"

Cat. No. 420A-34S — for 1/2" point, for metal 3/8"

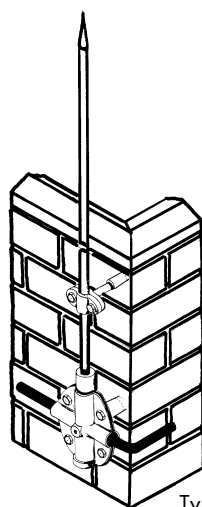
Cat. No. 420A-35S — for 5/8" point, for metal 3/8"

Cat. No. 420B-4S — for 1/2" point, no anchor

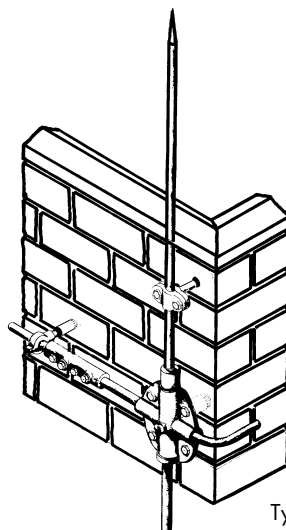
Cat. No. 420B-5S — for 5/8" point, no anchor



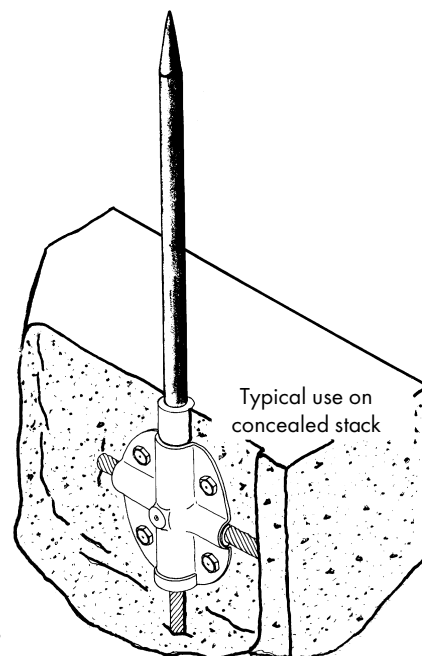
1/2 actual size



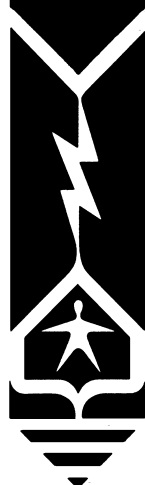
Typical use
on brick stack



Typical use as
three way base



Typical use on
concealed stack



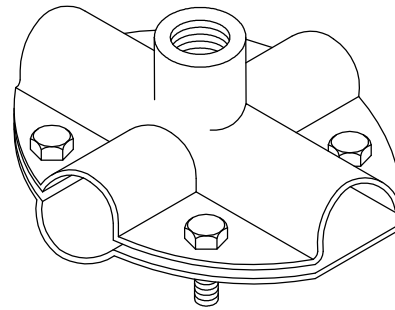
ROBBINS LIGHTNING, INC.

124 EAST SECOND STREET PHONE (660) 582-3156 FAX (660) 582-3039 P.O. BOX 440 MARYVILLE, MISSOURI 64468-0440

STACK POINT BASE — TOP MOUNT



Heavy duty cast stainless steel point base for mounting on top surface of concrete or metal smoke stack — threaded end to receive 1/2" or 5/8" diameter points — may be used as two-way, three-way or four-way connection — available in series No. 421B for use in concealed masonry cap, or in series No. 421 or No. 421A for exposed installation — all screws stainless steel to resist corrosion — series No. 421 furnished complete with 3/8" or 1/2" screw and lead expansion anchor in back plate for masonry stack — for metal stack, series No. 421A furnished with 3/8" or 1/2" screw, two nuts and two washers — for use with cables No. 401, No. 402, No. 403 and No. 404.



1/2 actual size

Cat. No. 421-44S — for 1/2" point, 1/2" anchor

Cat. No. 421-45S — for 5/8" point, 1/2" anchor

Cat. No. 421-34S — for 1/2" point, 3/8" anchor

Cat. No. 421-35S — for 5/8" point, 3/8" anchor

Cat. No. 421A-44S — for 1/2" point, for metal 1/2"

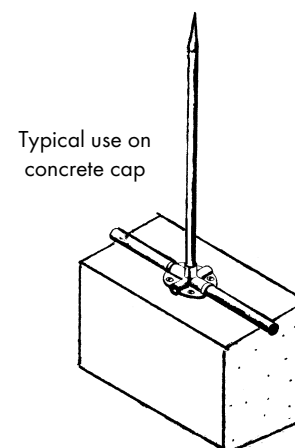
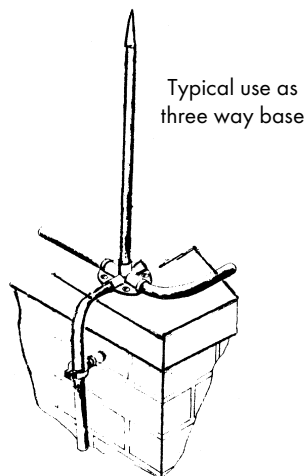
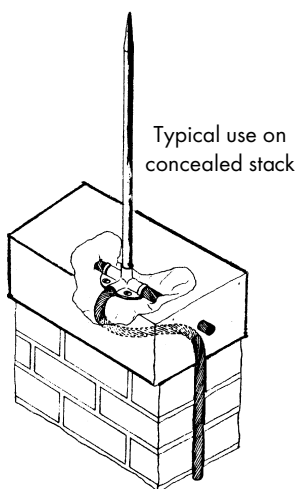
Cat. No. 421A-45S — for 5/8" point, for metal 1/2"

Cat. No. 421A-34S — for 1/2" point, for metal 3/8"

Cat. No. 421A-35S — for 5/8" point, for metal 3/8"

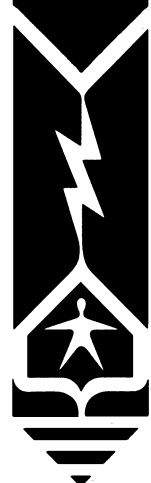
Cat. No. 421B-4S — for 1/2" point, no anchor

Cat. No. 421B-5S — for 5/8" point, no anchor



ROBBINS LIGHTNING, INC.

124 EAST SECOND STREET PHONE (660) 582-3156 FAX (660) 582-3039 P.O. BOX 440 MARYVILLE, MISSOURI 64468-0440



HEAVY DUTY STACK POINT BASE



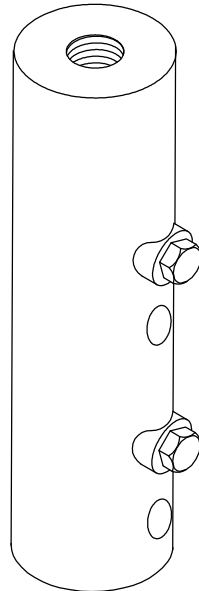
Heavy duty cast bronze point base for mounting stack point on vertical surface – threaded end to receive 1/2" or 5/8" diameter points – available in bare bronze series No. 422B for use in masonry concealed, or in 1/16" lead covered series No. 422 for exposed installation – all screws stainless steel to resist corrosion – for use with cables No. 401, No. 402, No. 403 or No. 404.

Cat. No. 422-4 – Lead covered, for 1/2" point

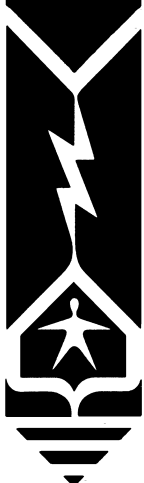
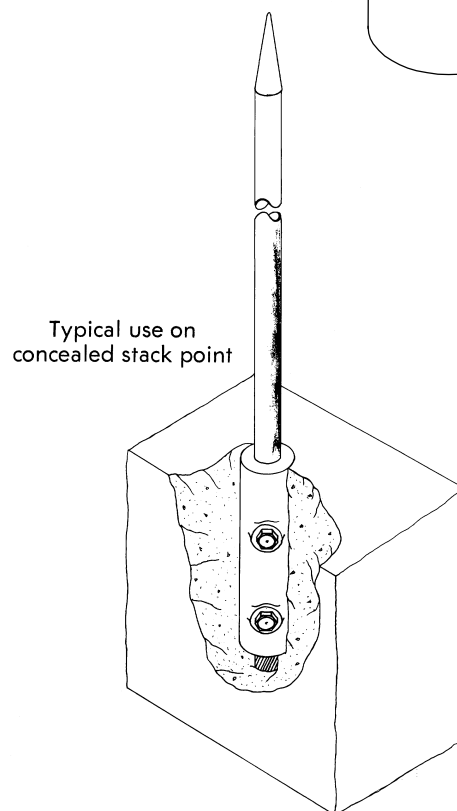
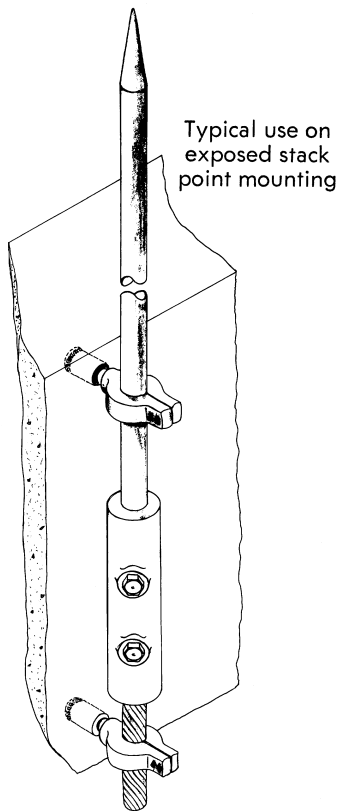
Cat. No. 422-5 – Lead covered, for 5/8" point

Cat. No. 422B-4 – Bare bronze, for 1/2" point

Cat. No. 422B-5 – Bare bronze, for 5/8" point



1/2 actual size



ROBBINS LIGHTNING, INC.

124 EAST SECOND STREET PHONE (660) 582-3156 FAX (660) 582-3039 P.O. BOX 440 MARYVILLE, MISSOURI 64468-0440

HEAVY DUTY CABLE SPLICERS

ALL ITEMS

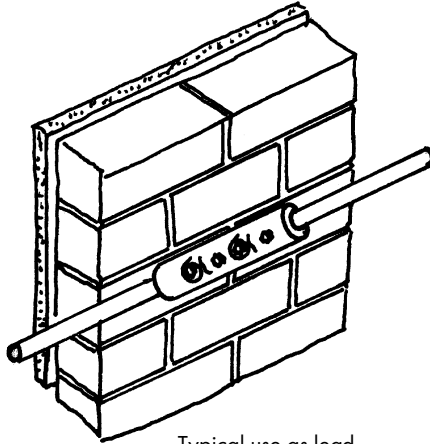
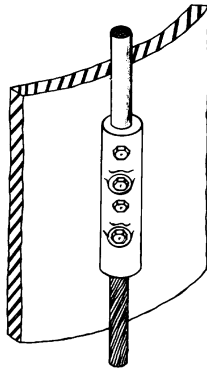


Heavy duty cast bronze cable splicer for use in closing lead covered encircling band on stack or for lead covered cable to bare cable connection – each cable end held securely with two bolt tension – Series No. 417 lead covered 1/16" thick, Series No. 418 bare bronze – for use with cables No. 401, No. 402, No. 403 or No. 404.

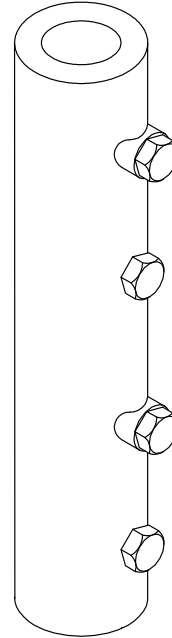
Cat. No. 417 – Lead Covered

Cat. No. 418 – Bare Bronze

Typical use as bare to lead covered cable splicer



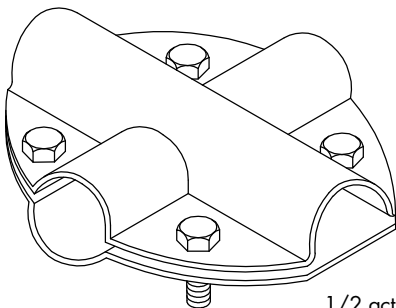
Typical use as lead covered encircling band splicer



1/2 actual size

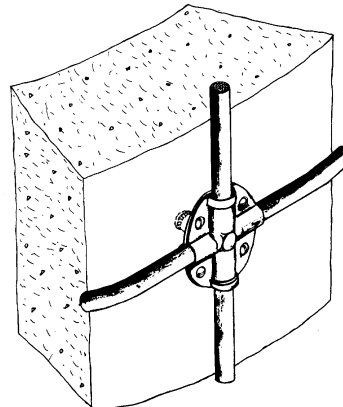
Heavy duty cast stainless steel cross run cable splicer – cable held securely by four bolt tension – for use on top 25' of stack and mid-point encircling band – for use with cables No. 401, No. 402, No. 403 or No. 404.

Cat. No. 466S – Stainless Steel



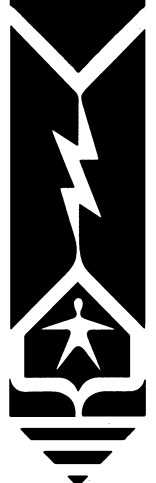
1/2 actual size

Typical use as encircling band splicer



ROBBINS LIGHTNING, INC.

124 EAST SECOND STREET PHONE (660) 582-3156 FAX (660) 582-3039 P.O. BOX 440 MARYVILLE, MISSOURI 64468-0440



POINT AND CABLE HOLDERS

ALL ITEMS



Heavy duty cast bronze point, cable or tubular protector pipe holder – bolt tension cap for positive holding – 3/8" stem diameter – heavy lead covered for use on top 25' of stack or bare for use on pipe – furnished without anchor (Series No. 433 and No. 433B), with lead expansion anchor (Series No. 439 and No. 439B), and with two stainless steel nuts and washers (Series No. 439A and No. 439C) – lead covered holders for use with points or cables 3/4" OD through 7/8" OD – bare holder for use with 7/8" OD standard protector pipes.

Copper

Cat. No. 433-3 – Lead covered, 3/8" stem, no anchor

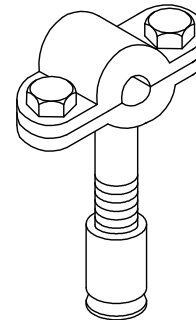
Cat. No. 433B-3 – Bare bronze, 3/8" stem, no anchor

Cat. No. 439-3 – Lead covered, 3/8" stem and anchor for masonry

Cat. No. 439A-3 – Lead covered, 3/8" stem for metal

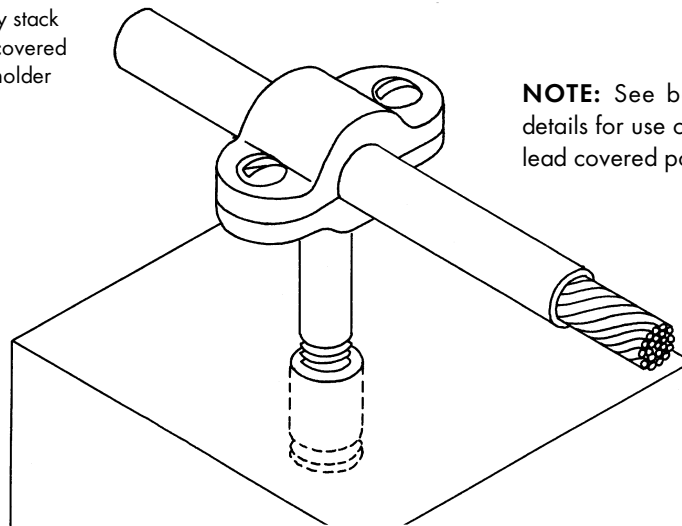
Cat. No. 439B-3 – Bare bronze, 3/8" stem and anchor for masonry

Cat. No. 439C-3 – Bare bronze, 3/8" stem for metal



1/2 actual size

Typical use on masonry stack as lead covered cable holder



NOTE: See base No. 420 details for use of this series as lead covered point holder

ROBBINS LIGHTNING, INC.

124 EAST SECOND STREET PHONE (660) 582-3156 FAX (660) 582-3039 P.O. BOX 440 MARYVILLE, MISSOURI 64468-0440



HEAVY DUTY CABLE HOLDERS

ALL ITEMS



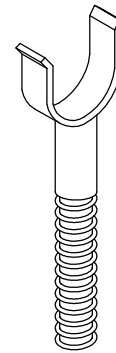
COMPRESSION TYPE

Heavy cast bronze cable holder for use in supporting stack cables – compression type cable grip for secure holding – 3/8" stem diameter – furnished without anchor (Series No. 430), with lead expansion anchor (Series No. 436) and with two stainless steel nuts and washers (Series No. 436A) for use with cables No. 401 and No. 403. (For Class I structures only.)

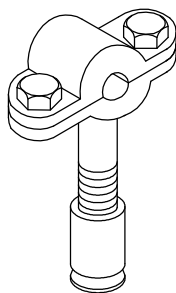
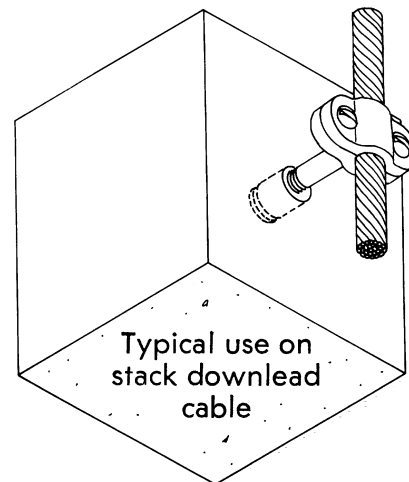
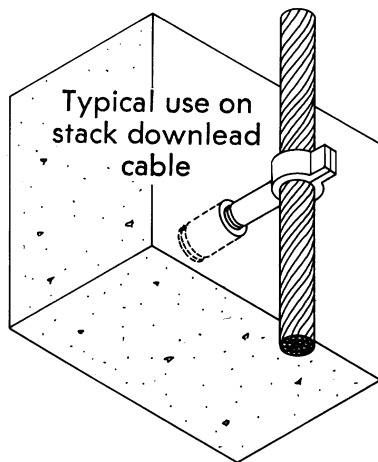
Cat. No. 430-3 – Bare bronze, 3/8" stem, no anchor

Cat. No. 436-3 – Bare bronze, 3/8" stem and anchor for masonry

Cat. No. 436A-3 – Bare bronze, 3/8" stem for metal



1/2 actual size



1/2 actual size

BOLT TENSION TYPE

Heavy cast bronze cable holder for use in supporting stack cables – bolt tension cap for positive holding – 3/8" stem diameter – furnished without anchor (Series No. 431), with lead expansion anchor (Series No. 437) and for metal with two stainless steel nuts and washers (Series No. 437A) – for use with cables No. 401 and No. 403.

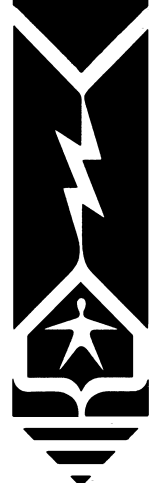
Cat. No. 431-3 – Bare bronze, 3/8" stem, no anchor

Cat. No. 437-3 – Bare bronze, 3/8" stem and anchor

Cat. No. 437A-3 – Bare bronze, 3/8" stem for metal

ROBBINS LIGHTNING, INC.

124 EAST SECOND STREET PHONE (660) 582-3156 FAX (660) 582-3039 P.O. BOX 440 MARYVILLE, MISSOURI 64468-0440



CABLE AND PIPE HOLDERS

Heavy duty cast bronze cable or tubular protector pipe holder – compression type retainer for secure holding – 3/8" stem diameter – heavy lead covered for use on top 25' of stack or bare for use on pipe – furnished without anchor (Series No. 432 and No. 432B), with lead expansion anchor (Series No. 438 and No. 438B) and with two stainless steel nuts and washers (Series No. 438A and No. 438C) – lead covered holder for use with cables 5/8" OD through 7/8" OD – bare holder for use with 5/8" and 3/4" standard protector pipes.

Cat. No. 432-3 – Lead covered, 3/8" stem, no anchor

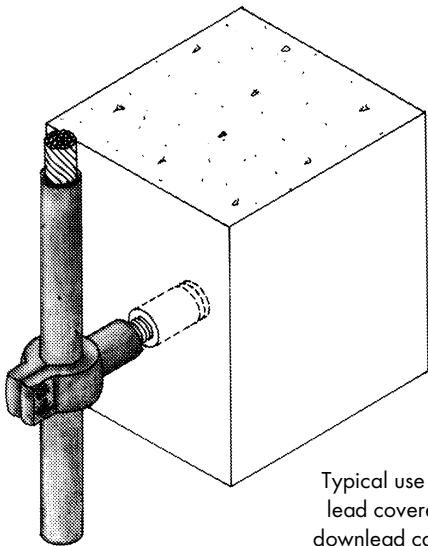
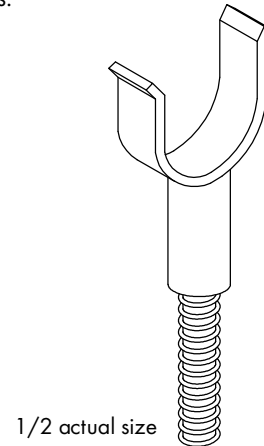
Cat. No. 432B-3 – Bare bronze, 3/8" stem, no anchor

Cat. No. 438-3 – Lead covered, 3/8" stem and anchor for masonry

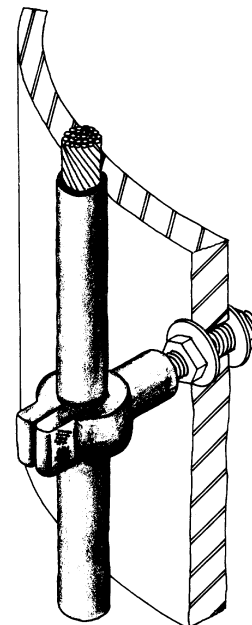
Cat. No. 438A-3 – Lead covered, 3/8" stem for metal

Cat. No. 438B-3 – Bare bronze, 3/8" stem and anchor for masonry

Cat. No. 438C-3 – Bare bronze, 3/8" stem for metal



Typical use on
lead covered
downlead cable



Typical use on
metal stack



ROBBINS LIGHTNING, INC.

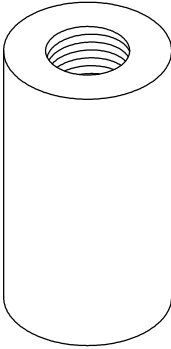
124 EAST SECOND STREET PHONE (660) 582-3156 FAX (660) 582-3039 P.O. BOX 440 MARYVILLE, MISSOURI 64468-0440

MISCELLANEOUS STACK EQUIPMENT

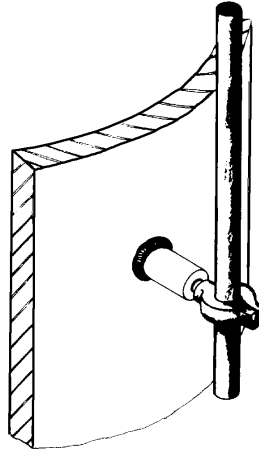
WELDING STUD

Stainless steel female stud for welding to steel stacks to receive threaded bronze cable and point holders – length of stud 1-1/4", diameter 5/8" – with 3/8" threads for holders.

Cat. No. 468-3 – 3/8" thread



actual size



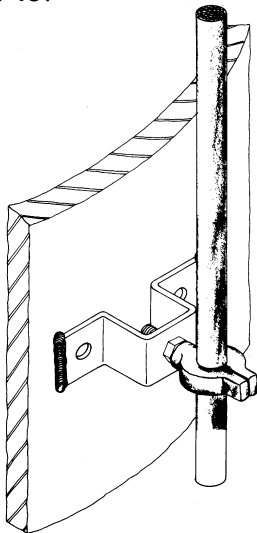
Typical use on steel surface

WELDING BRACKET

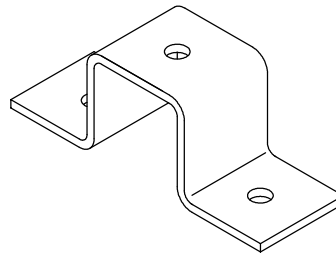
Stainless steel bracket for welding to steel stacks to support bronze cable and point holders – may be bolted to steel surface with two 3/8" screws – stand-off distance 1-1/2", welding ears 1" wide – made of 1/8" x 1" stainless steel stock – hole to receive 3/8" stem on holder of metal mount series.

Cat. No. 469

1/2 actual size



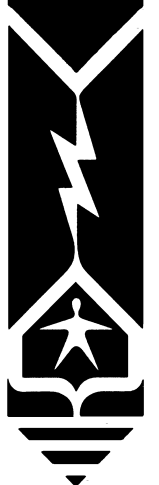
Typical use on metal surface



ROBBINS LIGHTNING, INC.

124 EAST SECOND STREET PHONE (660) 582-3156 FAX (660) 582-3039 P.O. BOX 440 MARYVILLE, MISSOURI 64468-0440

-129-

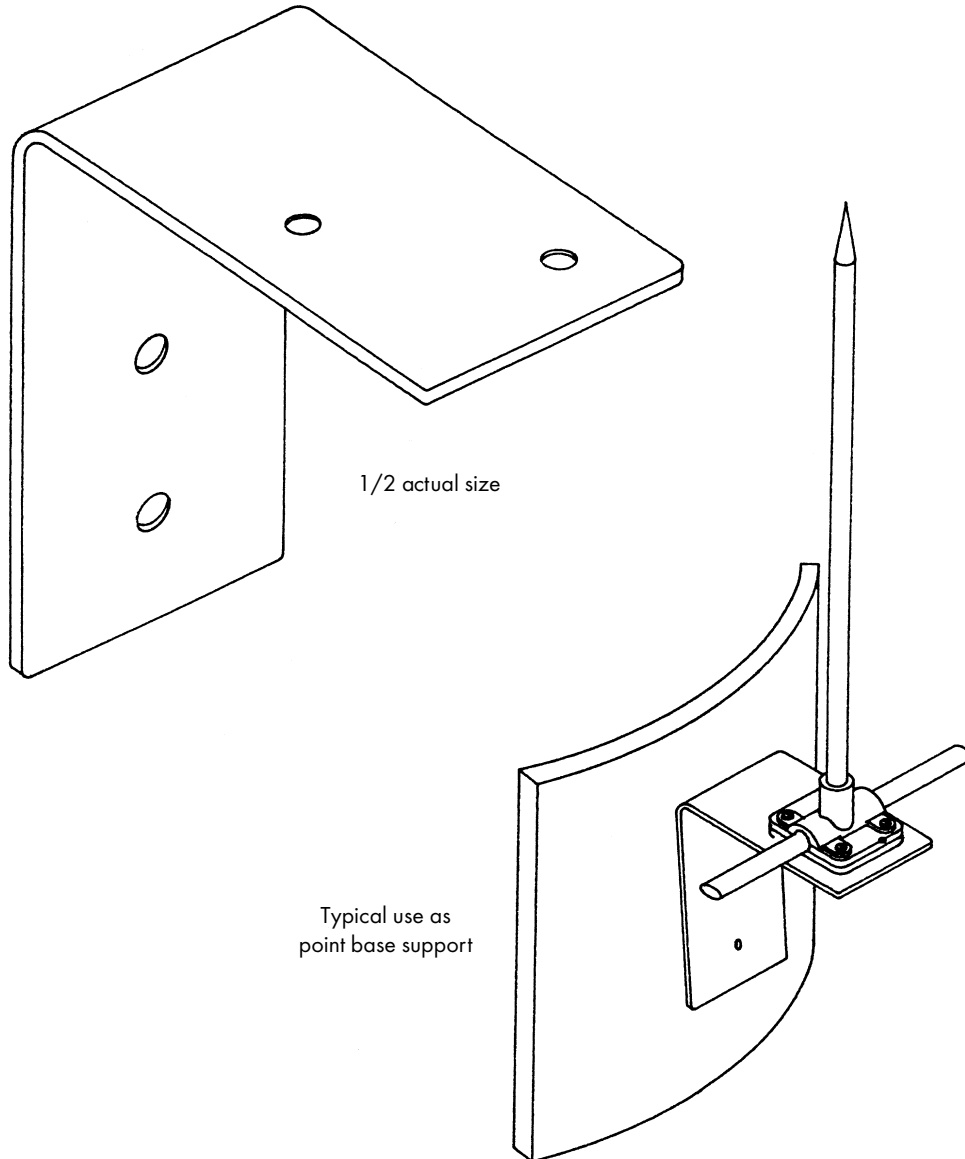


MISCELLAENOUS STACK EQUIPMENT

WELDING ANGLE

Stainless steel angle for welding to steel stack to support air terminals or cable holders – may be bolted to steel surface with two 3/8" screws – made of 1/8" thick stainless steel 3" wide, 6" vertical leg, 4-5/8" horizontal leg of angle – holes to receive 1/4" anchor bolts on point base of metal mount series.

Cat. No. 470



ROBBINS LIGHTNING, INC.

124 EAST SECOND STREET PHONE (660) 582-3156 FAX (660) 582-3039 P.O. BOX 440 MARYVILLE, MISSOURI 64468-0440