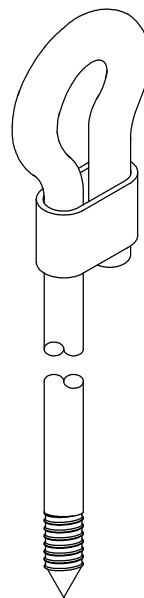
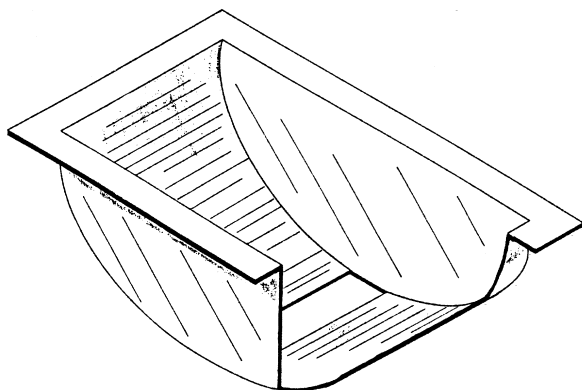


AIRCRAFT TIE-DOWN ANCHOR ROD AND DEPRESSION FORM

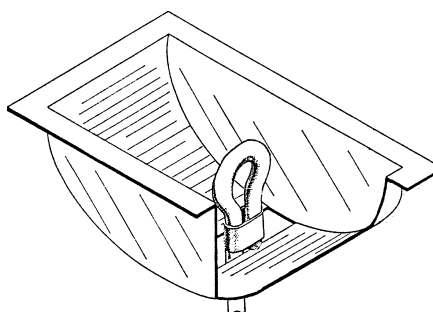
Copperclad steel aircraft tie-down anchor rod made from standard ground rod stock – copper sleeve compressed on rod – eye radius 3/4".

	Total Length
Cat. No. 94 - 6TD – 5/8" diameter, 6' Long	5'7"
Cat. No. 94 - 8TD – 5/8" diameter, 8' Long	7'7"
Cat. No. 94 - 10TD – 5/8" diameter, 10' Long	9'7"
Cat. No. 97 - 8TD – 3/4" diameter, 8' Long	7'7"
Cat. No. 97 - 10TD – 3/4" diameter, 10' Long	9'7"



Cat. No. 761

Plastic depression form – snaps over loop on tie-down anchor rod to form depression approximately 6" long by 3" wide by 3" deep around standard 5/8" or 3/4" diameter anchor rod.



Typical applicaton of form on tie-down rod



ROBBINS LIGHTNING, INC.

124 EAST SECOND STREET PHONE (660) 582-3156 FAX (660) 582-3039 P.O. BOX 440 MARYVILLE, MISSOURI 64468-0440